

Insulated Self-Contained Kettle

Gas-Fired, 2/3 Jacketed
Insulated for Safety
Deep Drawn Construction
Stationary, Floor Mounted
Made in USA

THERMA TILT
Model TT-TT2/3J-T-G

STANDARD FEATURES



Standard Model TT-TKFJ-S-G40G & Low-Rim
Model LGB-40F
Shown with Thermatek Kettle Tools

- ◆ Kettle System
 - ◇ Seamless deep-drawn 304 kettle liner with an integrally formed radius lip
 - ◇ 304 stainless draw-off tube and welds
 - ◇ 304 stainless 2" compression draw-off
- ◆ 304L stainless kettle jacket
- ◆ Kettle protection system
 - ◇ Thermostat temperature control, 150°F - 260°F
 - ◇ Pressure relief valve
 - ◇ Air eliminator valve
 - ◇ Pressure gauge
 - ◇ Jacket-water fill and sight glass
 - ◇ Automatic low water cut off and indicator light
 - ◇ Safety pilot control
- ◆ Full body insulation between kettle jacket and outer casing
- ◆ Electronic ignition, 120V Standard
- ◆ 304 stainless outer casing seam welded to radius lip
- ◆ 304 stainless, seam welded control console
- ◆ 304 stainless, one piece, domed cover, actuator-assisted on 40 - 125 gallon
- ◆ Perforated disc strainer, 1/4" holes
- ◆ Adjustable bullet feet

Models and Capacities

Optional Features and Accessories

See price list for supplemental information regarding options

TT-TT2/3J-T-G20G	20 gal.	76 l.
TT-TT2/3J-T-G30G	30 gal.	114 l.
TT-TT2/3J-T-G40G	40 gal.	152 l.

Faucet Options:

- _ Single or dual faucet with bracket & 12" or 18" swing nozzle
- _ 48" flexible spray hose assembly (vinyl or stainless) for dual or single faucet
- _ Faucet bracket
- _ Automatic water filling meter

(Call for information regarding additional faucet options)

Prison/Security Options:

- _ Fasteners (screws & nuts)
- _ Nut driver tool
- _ Draw-off nut driver tool
- _ Screw driver tool
- _ Lockable control cover
- _ Lockable lid
- _ Draw-off protection

Feet:

- _ Adjustable flanged feet

Other Options:

- _ Electric timer with buzzer
- _ Pressure switch
- _ Mixer/agitator, 2 speed
- _ Gas quick disconnect 1/2"
- _ Flexible gas hose 1/2" x 60"

Accessories:

- _ Draw-off drain hose
- _ Measuring strip
- _ Disc strainer; solid or perforated, 1/8" or 1/4"
- _ Care kit

Covers:

- _ Lift-off or 2 piece hinged
- _ 1 piece actuator-assisted, 20 - 30 gal.

Baskets:

- _ Single basket, 20 - 40 gal.
- _ Tri-basket insert
- _ Nylon bag insert with spreader ring

Select draw-off valve: 2" 3"*

With: compression ball type fitting

See price list for other draw-off options.

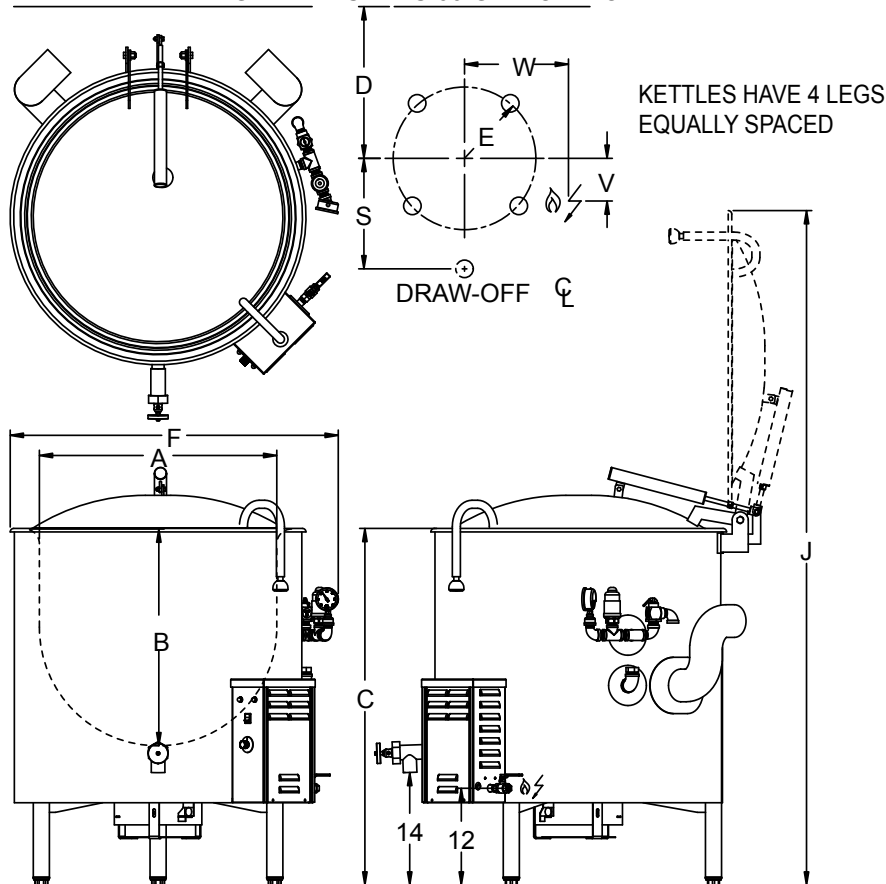
*If a 3" diameter draw-off valve is required, contact Legion for applicable dimensions.

Select voltage: 120V 208V 240V

Select gas: Natural Propane (LP) Other

Revision 512

DRAWING REPRESENTS 60 GALLON MODEL



MODEL LGB DIMENSIONS

Gal.	A	B	C	D	E	F	J	S	V	W
20	29.5	21.8	38.4	27.8	16.6	41.1	77.9	20.9	11.8	18.8
30	29.5	25.0	41.7	27.8	16.6	41.1	81.2	20.9	11.8	18.8
40	32.5	27.6	45.1	29.3	18.1	44.1	87.6	22.4	12.8	19.9

Gal.	BTU RATING		Natural	Propane	Electrical
	Natural	Propane			
20	106,800	108,500	Supply Piping: 1/2" IPS	Supply Piping: 1/2" IPS	120 volt (standard) 208/240 volt (optional) 50/60 Hz 1 Phase 1 Amp
30	131,400	131,100			
40	154,800	149,200			
			Supply Piping: 3/4" IPS Supply Pressure: 5-7"W.C. (nominal) Outlet Pressure Factory Setting: 3.5"W.C.	Supply Piping: 3/4" IPS Supply Pressure: 12-14"W.C. (nominal) Outlet Pressure Factory Setting: 10.0"W.C.	

Revision 512