



Job _____ Item No. _____

Star® Double Conveyor Toaster

DT14



DT14

FEATURES

- Double deck conveyor toaster - two full size toasters with powerful quartz element heaters and individual controls in less than 20" of counter space
- Each deck has variable conveyor belt speed control and separate, top/bottom variable heat controls
- Top Deck features an adjustable product entry opening from 1" to 2-1/4" and an 8" extended conveyor load-up area
- Lower Deck features a fixed 1-3/4" high entry opening and 6" extended conveyor load-up area
- Forced convection system keeps the toaster cool-to-the-touch and extends the life of critical components. The forced convection increases productivity by circulating pre-heated air into toasting chamber
- Heated holding area to keep toast at the perfect temperature
- Hi-limit switch prevents toaster from overheating protecting critical component parts

DESCRIPTION

Energy efficient and flexible, the DT14 dual-conveyor belt toaster is designed for food service operators who need one toaster that can toast two different bread products at the same time. Combining two toasters into one enables the operator to make efficient use of counter space. There is no need to keep both toasters running during slow periods. With our quartz infrared heaters, turn one toaster off and bring it back to full power in seconds. The DT14 Double Toaster defines productivity. Two variable speed conveyor belt controls and top/bottom heat controls for perfect color and texture on everything. Product entry opening adjustable from 1" to 2.25" high in top toaster. Bottom entry is 1.75".

TOASTING CAPACITY

MODEL	PRODUCT OPENING	SLICES PER HOUR
DT14	Top = 1 to 2-1/4" Bottom = 1-3/4"	1,000 bun halves per hour 1,000 bread slices per hour

CERTIFICATIONS



SPECIFICATIONS

Conveyor toaster is constructed of corrosion resistant stainless steel. Two variable speed conveyor belt controls and two separate top and bottom heat controls. Two conveyor belt tension systems are supplied for a smooth, quiet operation. 8" and 6" extended load up areas, product openings of 1" to 2-1/4" and 1-3/4" high and large holding area. Crumb tray, hi-limit switch and quartz infrared heaters are standard. 1" adjustable legs and a 4' cord. Unit is cULus listed and UL EPH Sanitation certified.

WARRANTY

This unit comes with a one [1] year warranty for parts and labor.



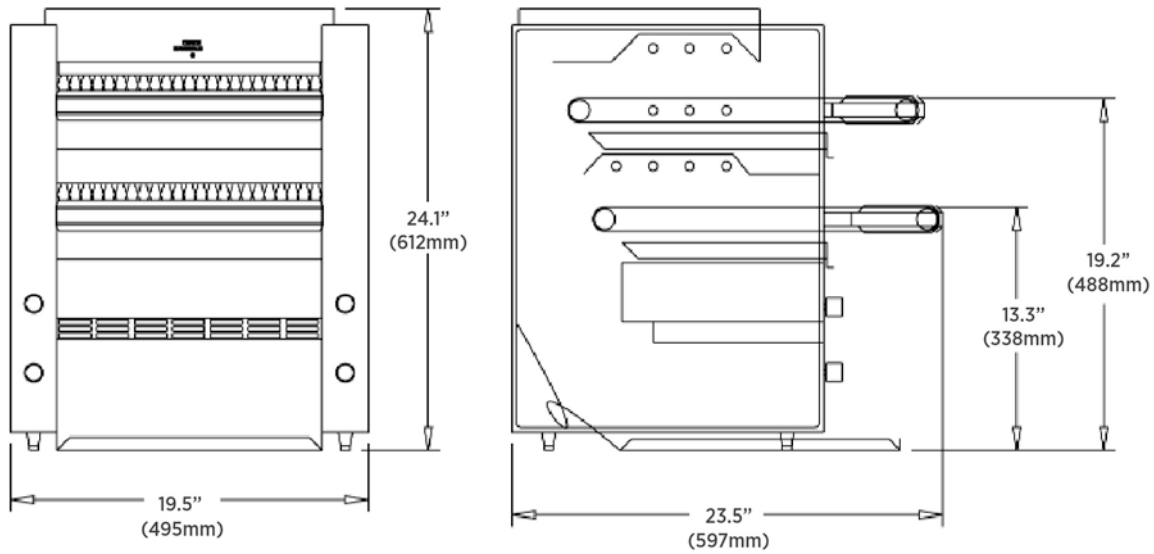
STAR MANUFACTURING INTERNATIONAL INC.
 10 Sunnen Drive • Saint Louis, Missouri 63143
 Telephone 800 264 7827 • Fax 314 781 5445
 www.star-mfg.com

Printed in the U.S.A. • 2M-ZZxxx • Rev - • 4.2017
 Specifications are subject to change without notice
 and are not intended for installation purposes.



Star® Double Conveyor Toaster

□DT14



MODEL	DESCRIPTION	BELT WIDTH	SLICES PER HOUR [BUN & BREAD]	HEIGHT in. (mm)	WIDTH in. (mm)	DEPTH in. (mm)	VOLTS ¹	HZ 1-PH	AMPS	WATTS	NEMA PLUG	APPROX. SHIP WEIGHT
DT14	2.25" Top Opening 1.75" Bottom Opening DOUBLE CONVEYOR TOASTER	14" - 3 Slices	2,000	24.1 (612)	19.5 (495)	23.5 (597)	208V 220V 240V	60 50 60	23.6 22.3 20.5	4,800	6-30P	102 lb. (224 kg)

¹Specify 208V, 240V or 230V Service when ordering. All units rated for 50-60Hz cycles.



Due to periodic changes in designs, methods, procedures, policies and regulations, the specifications contained in this sheet are subject to change without notice. While Star Manufacturing exercises good faith efforts to provide information that is accurate, we are not responsible for errors or omissions in information provided or conclusions reached as a result of using the specifications. By using the information provided, the user assumes all risks in connection with such use.