

## General Information

Project Name: \_\_\_\_\_

Consultant: \_\_\_\_\_

Item #: \_\_\_\_\_

Model #: \_\_\_\_\_

Quantity: \_\_\_\_\_



## Specifications

**IBP-1** Model Mobile Ice Bins are constructed of 18GA stainless steel type 300 series. Pull handle on lid makes it easy to open and close. Ice Bin is fully insulated to retain temperature. Unit has stainless steel push/pull handle and is mounted on 1 $\frac{5}{8}$ " legs with crossrails & (4) 3" casters, (2) with brakes. Coved corners and built in pitch to 1" NPS drainer.

Ice Scoop holder on the front for easy storage and prevents users from leaving scoop in the ice. Hinged lid folds back and stays open during use. Overall size is 23" Wide x 30" Long x 34" High.

## Product Guide

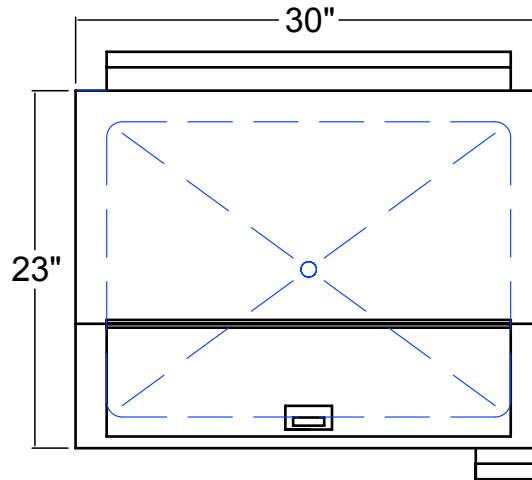
Ice Bin is 18" Deep for large ice storage. Use in restaurants, bars, outside catering events and many other places. All stainless steel construction makes unit easy to clean and keep sanitary.

## Options

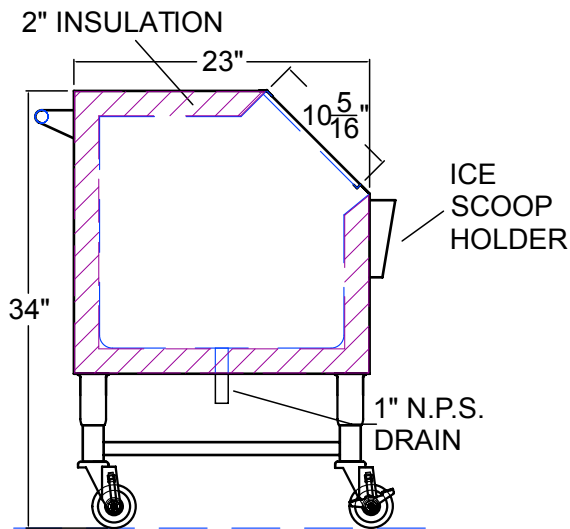
- Adjustable Bullet Feet
- Customizable Ice Scoop
- DRL** - Door Lock
- No Handle
- Custom Sizes



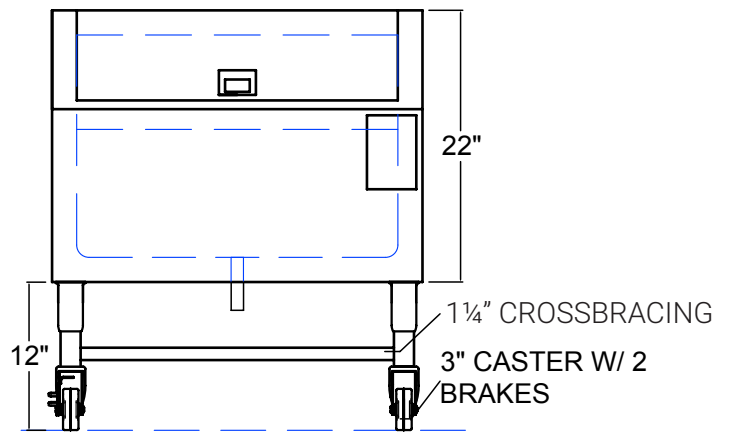
## DRAWINGS



PLAN



SIDE ELEVATION



FRONT VIEW

### MOBILE ICE BIN

Model	Size (W x L x H)
□ IBP-1	23" x 30" x 34"

Specifications subject to change without notice.

IBP-30 0919