

General Information

Project Name: _____

Consultant: _____

Item #: _____

Model #: _____

Quantity: _____



Specifications

WS-CK Corner hand sink w/ utility shelf includes Electronic Faucet, Soap Dispenser & Apron. Backsplash is 8" high with 1" return to wall. Stainless steel apron is provided with holes for fastening to wall. Large covered corner sink bowl 9¼" x 11½" x 6" deep with 1½" waste drain. 4" center splash mounted faucet with wrist handles.

Top and sink constructed of 16GA stainless steel with covered intersection where top meets backsplash. Offset strip supplied for mounting to wall.

Note: Utility Shelf is included with splash mounted faucets.

Product Guide

IMC Corner Hand Sinks are easily cleanable without the use of tools. All corners are coved, and all seams are fully welded and polished.

Large oversize deck provides space for faucet and soap dispenser. High backsplash protects wall and keeps sink sanitary. Large integral apron conceals plumbing.

Options

- SS** - Side Splashes (Pair)
- TLG** - Adjustable Tubular Legs
- TWB** - Tubular Wall Brackets
- RSOD** - Rear Sink Overflow Drain
- CBW** - Custom Bowl Size

CORNER HAND SINK

Sink Only Models	Faucet Mounting	Sink w/ Faucet Models	Overall Size
<input type="checkbox"/> WS-CK-1DX	1 Hole Deck	<input type="checkbox"/> WS-CK-1D	20" x 20" x 14¾"
<input type="checkbox"/> WS-CK-1SX	1 Hole Splash	<input type="checkbox"/> WS-CK-1S	20" x 20" x 14¾"
<input type="checkbox"/> WS-CK-2DX	4" OC Deck	<input type="checkbox"/> WS-CK-2D	20" x 20" x 14¾"
<input type="checkbox"/> WS-CK-2SX	4" OC Splash	<input type="checkbox"/> WS-CK-2S	20" x 20" x 14¾"

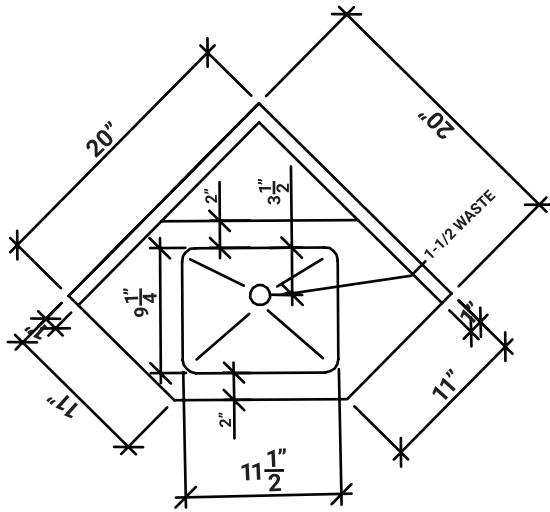
*Includes soap dispenser



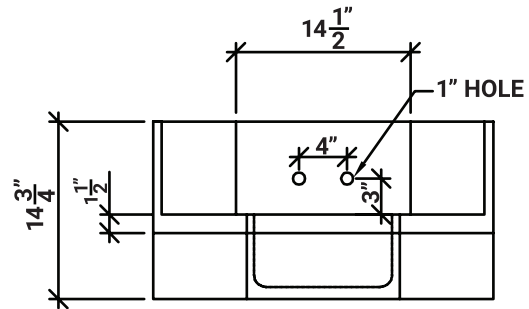
WS-CK-60 0823



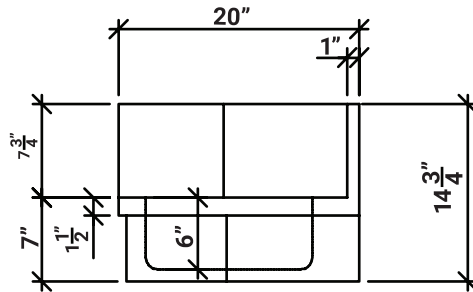
DRAWINGS



PLAN VIEW



FRONT VIEW



SECTION VIEW

ACCESSORIES

(See Price Book Pg. 66-68)



RGLH
Gooseneck Faucet



EFD
Electronic Faucet



KNV
Double Knee
Valve & Gooseneck
Spout



EW-S
Eye Wash Faucet



TD
Towel Dispenser



CTSD
Combo Towel &
Soap Dispenser



ITSD
Integral Towel &
Soap Dispenser

Specifications subject to change without notice.

WS-CK-60 0823