

## General Information

Project Name: \_\_\_\_\_

Consultant: \_\_\_\_\_

Item #: \_\_\_\_\_

Model #: \_\_\_\_\_

Quantity: \_\_\_\_\_



Model WT



Model WTB



## Specifications

**WT** Worktables constructed of heavy duty non-magnetic type 300 series stainless steel with a satin brush finish.

14GA table top with 16GA continuous reinforcements and heavy duty stainless steel gusset for 16GA 1 $\frac{5}{8}$ " diameter stainless steel tubular legs with adjustable feet.

Sound deaden undersurface. Provide additional legs for tables 84" and longer.

## Product Guide

Rugged stainless steel table, engineered for heavy use and years of service in high volume Institutional and Commissary applications.

This versatile table is designed to retain integrity and finish over long periods.

Options are designed to convert this table for varied use in different applications throughout the facility.

IMC Worktables are easily cleanable without the use of tools. All corners are coved, and all seams are fully welded and polished.

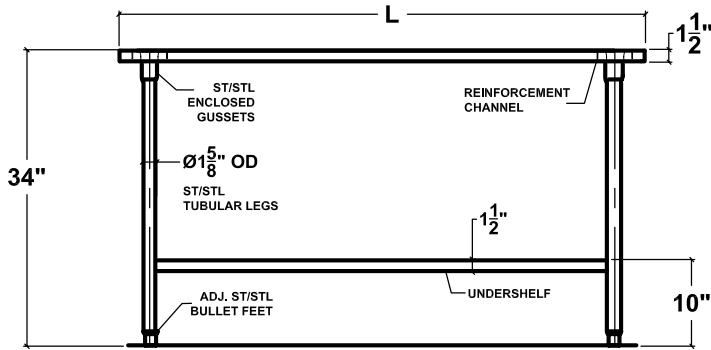
## Options

- CB** - Cutting Board
- RR** - Rolled Edge
- ME** - Marine Edge (No-Drip Edge)
- CR** - Cross Rails
- CRT** - Corner Turn
- LDO** - Lever Drain w/ Overflow
- WCR** - Set-Up Welded Table & Crated
- SS5** - Side Splash 5" High
- SS810** - Side Splash 8" or 10" High
- C4** - 5" Dia. Swivel Casters 2 w/ Brakes (4)
- C6** - 5" Dia. Swivel Casters 2 w/ Brakes (6)
- B810** - 8" or 10" Backsplash (per ft)
- FF** - Flanged Feet
- CC** - Corner or Column Cutout
- SDE** - Sound Deadening



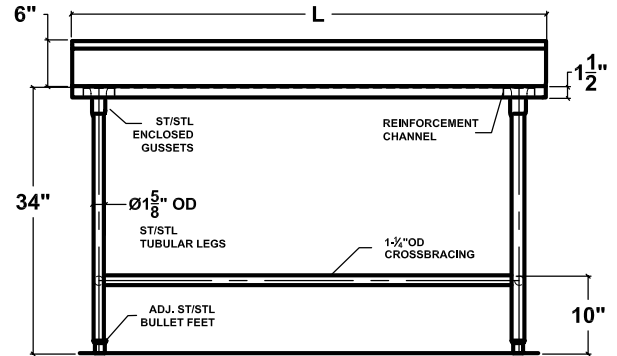
**DRAWINGS**

**WT Model**

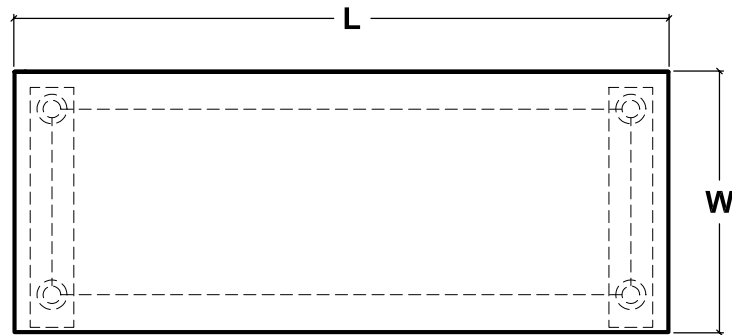


**FRONT ELEVATION**

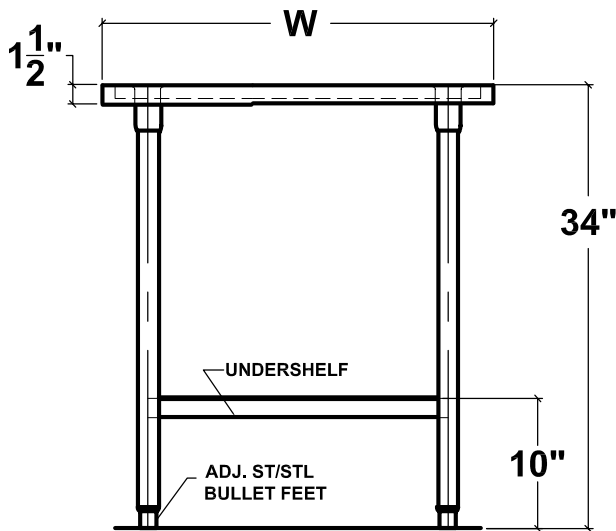
**WTB Model**



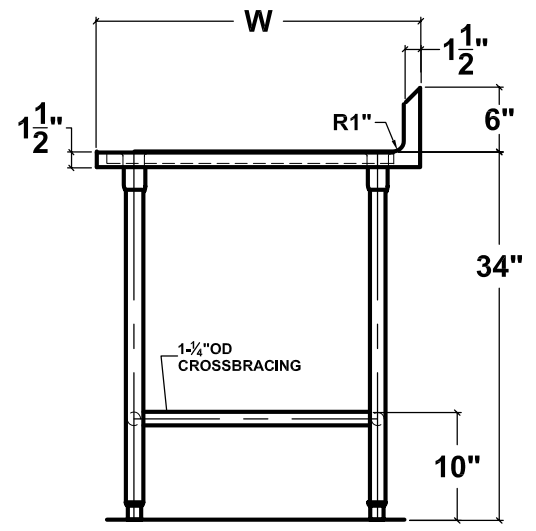
**FRONT ELEVATION**



**PLAN**



**SIDE ELEVATION**



**SIDE ELEVATION**

Specifications subject to change without notice.

WT-70 0919