

 **General Information**

Project Name: _____

Consultant: _____

Item #: _____

Model #: _____

Quantity: _____



Model WT

 **Specifications**

WT Worktables are constructed of 14GA or 16GA type 300 series stainless steel polished to a #4 brush finish.

Top is constructed of 14GA or 16GA S/S with 1½" thick square edge with 16GA S/S reinforcement channels underneath. Top has S/S gussets welded underneath for 16GA S/S 1½" diameter tubular legs with S/S adjustable bullet feet.

WT worktables include an 18GA S/S undershelf welded to legs with edges turned down for safety & stability. Sound deadening is standard on tables. Additional legs provided on tables 84" & longer. Crossrails, when required, are constructed of 1¼" OD 16GA S/S tubing & welded to legs.

All tables are fully welded & ship assembled. Knock down tables are available, upon request.

 **Product Guide & Features**

IMC Worktables are easily cleanable. All corners are coved, and all seams are fully welded and polished.

This versatile table is designed to retain integrity and finish over long periods. They are engineered for heavy use in any facility and all parts are stainless steel.

Options are designed to convert this table for varied use in different applications throughout the facility.

 **Options***

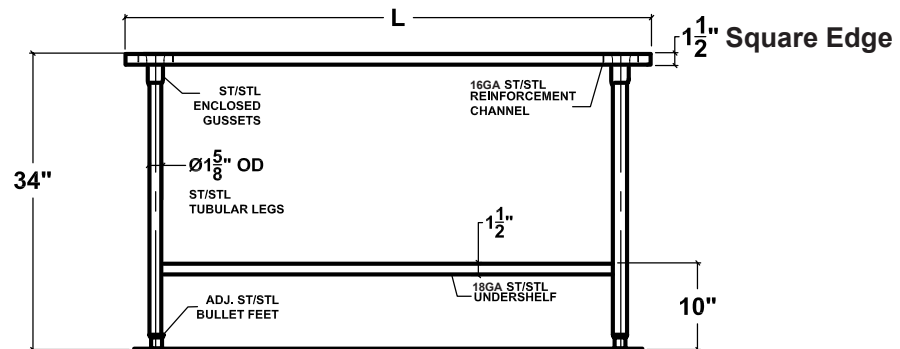
- US-16** - 16GA S/S Undershelf Upgrade
- Removable Undershelf
- RE** - Rolled Edge
- ME** - Marine Edge (No-Drip Edge)
- CR** - Crossrails (In Lieu of Undershelf)
- SS6** - Side Splash 6" High
- SS810** - Side Splash 8" or 10" High
- C4** - 5" Dia. Swivel Casters 2 w/ Brakes (4)
- FF-50** - Flanged Feet
- CC** - Corner or Column Cutout
- Drawer w/ Lock
- Sink - Size _ x _ x _

***See Price List for Complete Options**

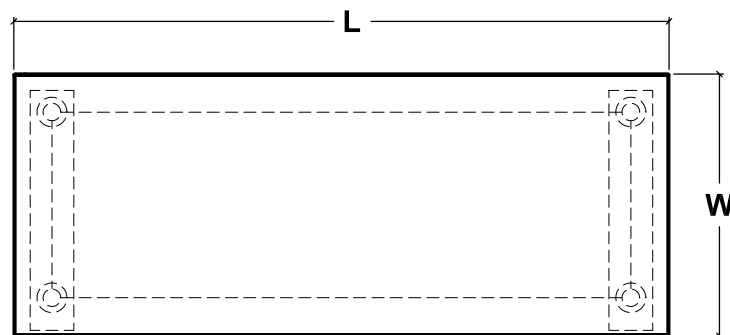




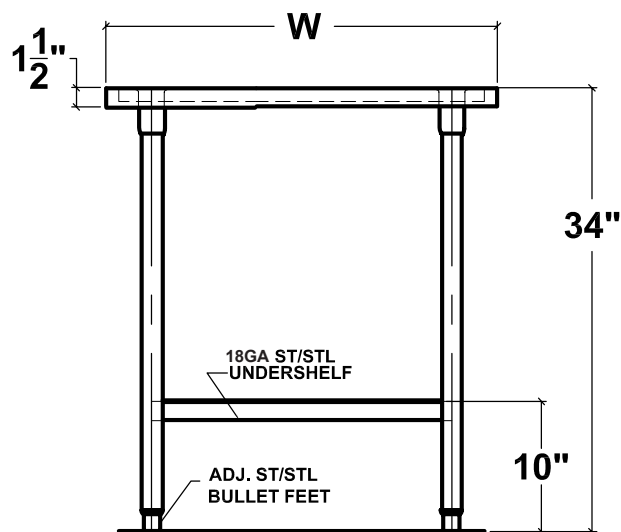
DRAWINGS



FRONT ELEVATION



PLAN



SIDE ELEVATION

Specifications subject to change without notice.

WT-012 0522