

General Information

Project Name: _____

Consultant: _____

Item #: _____

Model #: _____

Quantity: _____



Model #TBV-1-1684



Model #TBV-2

Specifications

TBV Model Single Tier Table Mounted Shelf is constructed of 18GA Type 300 Series stainless steel, and polished to a #4 finish with a 1½" down bend on (4) sides and ½" return. Shelf has channels under welded to 1¼" diameter 16GA S/S tubular uprights with provisions for mounting to table.

TBV-2 Model Double Tier Table Mounted Shelf is constructed of 18GA Type 300 Series stainless steel, and polished to a brushed finish with a 1½" down bend on (4) sides and ½" return. Shelves have channels under welded to 1¼" diameter tubular S/S uprights with provisions for mounting to table.

The first shelf is mounted 18" above the work surface and the second shelf is mounted 12" above the first shelf. Other spacing is available.

Product Guide

Table shelves are a great add-on to any worktable to maximize the space in the kitchen and to keep organized.

The 2-tier table shelf gives you extra capacity for storage of common items.

The stainless steel shelves are durable and easy to clean.

Options

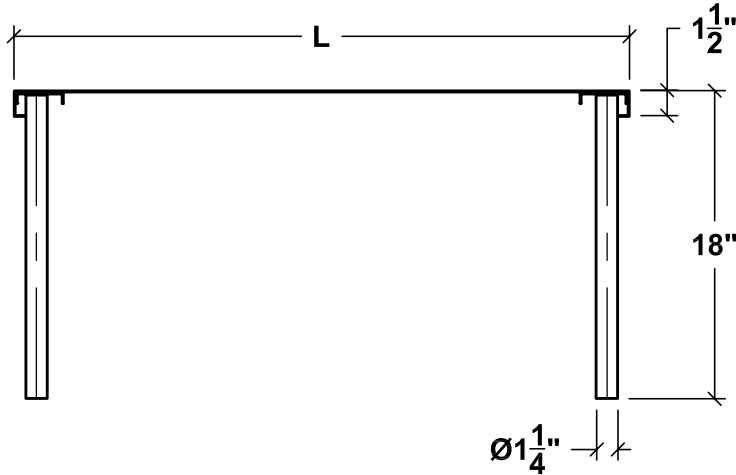
- GA-16** - 16GA Stainless Steel
- Provision for Heat Lamp
- Provision for Lights
- 2" Rear Splash
- 2" Side Splash
- Custom Size
- Custom Heights



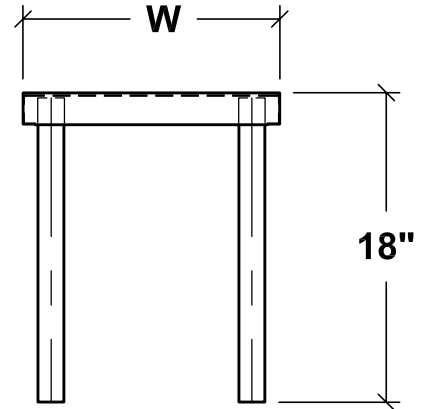


DRAWINGS

TBV-1

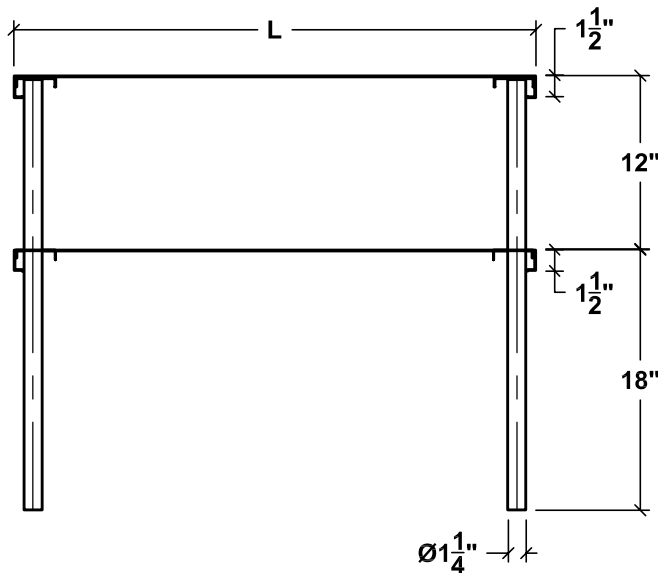


FRONT SECTION

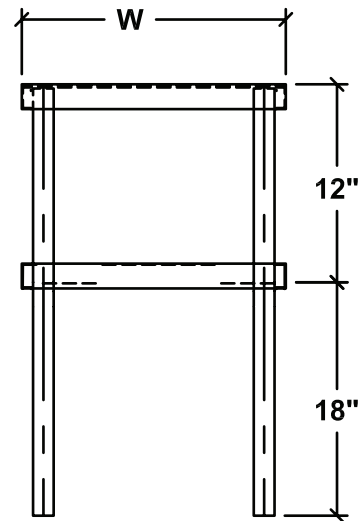


SIDE ELEVATION

TBV-2



FRONT SECTION



SIDE ELEVATION

Specifications subject to change without notice.

TBV-50 1021