

General Information

Project Name: _____

Consultant: _____

Item #: _____

Model #: _____

Quantity: _____



Specifications

SX Extra Heavy Duty Shelving is produced from 14GA type 300 series stainless steel, with double-folded shelf edges turned down 90 degrees and in 180 degrees. Stainless steel gussets are welded to the underside of each edge of the shelf and secured to posts with posi-loc screws.

Uprights are 1 5/8" OD, 16GA 18-8 type 300 series stainless steel posts, with welded-in top caps, and non-removable, sanitary, adjustable stainless steel feet. All shelving units and components are NSF approved and all exposed surfaces finished brush satin.

Product Guide

SX shelves are for large institutional or commissary or where equipment abuse is likely. It withstands heaviest loads with years of maintenance-free use. Easily assembled and adjusted.

Solid surface design provides easy access and quick clean up of spills. Large louvers allow uniform temperature distribution.

Stationary units provided with stainless steel posi-grip adjustable foot inserts.

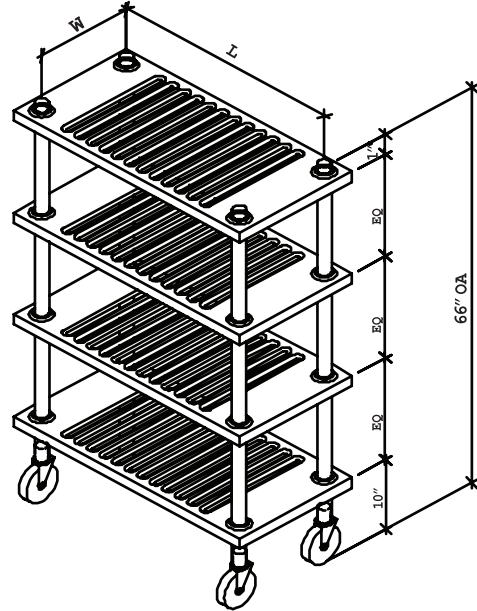
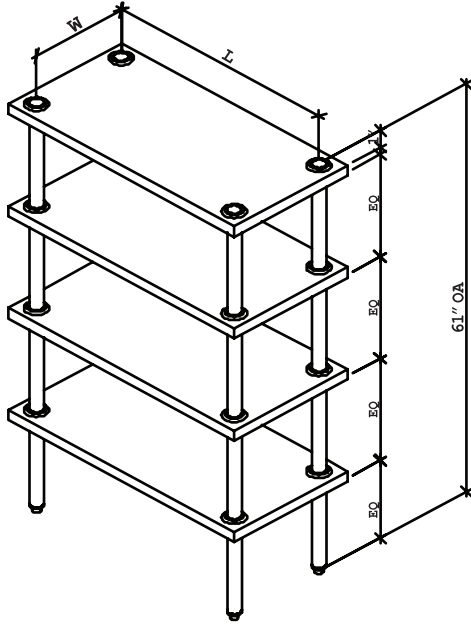
Mobile units provided with 5" casters. See selection guide and information.

Options

- RC-5** - 5" Rubber Casters - Standard Duty
- PCY-5** - 5" Poly Casters - Heavy Duty
- PCYS-5** - 5" S/S Poly Casters - Heavy Duty
- PPC-5** - 5" Plate Poly Casters - Heavy Duty
- GF-2** - Grease Fittings
- FF-50** - S/S Flanged Feet
- BAC** - Brakes on All Casters
- RB-10** - Revolving Bumpers
- CBM-20** - Corner Bumpers
- BF-40** - S/S Bullet Feet
- AES** - Aeroform Shelves
- GA-12** - 12GA Upgrade
- GA-14** - 14GA Upgrade
- SRE-60** - Shelf Reinforcement (Solid Only)
- PLG-70** - Perimeter Ledge
- SEI-80** - Seismic Earthquake Shelving
- WELD** - Set-Up & Welded Unit
- PCAP** - Post Caps



DRAWINGS



Louvered Shelving Units 4-Tier Complete Unit					
Model	Size (W x L)	Model	Size (W x L)	Model	Size (W x L)
□ SX-3018-4L	18" x 30"	□ SX-3021-4L	21" x 30"	□ SX-3024-4L	24" x 30"
□ SX-3618-4L	18" x 36"	□ SX-3621-4L	21" x 36"	□ SX-3624-4L	24" x 36"
□ SX-4218-4L	18" x 42"	□ SX-4221-4L	21" x 42"	□ SX-4224-4L	24" x 42"
□ SX-4818-4L	18" x 48"	□ SX-4821-4L	21" x 48"	□ SX-4824-4L	24" x 48"
□ SX-5418-4L	18" x 54"	□ SX-5421-4L	21" x 54"	□ SX-5424-4L	24" x 54"
□ SX-6018-4L	18" x 60"	□ SX-6021-4L	21" x 60"	□ SX-6024-4L	24" x 60"

Solid Shelving Units 4-Tier Complete Unit					
Model	Size (W x L)	Model	Size (W x L)	Model	Size (W x L)
□ SX-3018-4S	18" x 30"	□ SX-3021-4S	21" x 30"	□ SX-3024-4S	24" x 30"
□ SX-3618-4S	18" x 36"	□ SX-3621-4S	21" x 36"	□ SX-3624-4S	24" x 36"
□ SX-4218-4S	18" x 42"	□ SX-4221-4S	21" x 42"	□ SX-4224-4S	24" x 42"
□ SX-4818-4S	18" x 48"	□ SX-4821-4S	21" x 48"	□ SX-4824-4S	24" x 48"
□ SX-5418-4S	18" x 54"	□ SX-5421-4S	21" x 54"	□ SX-5424-4S	24" x 54"
□ SX-6018-4S	18" x 60"	□ SX-6021-4S	21" x 60"	□ SX-6024-4S	24" x 60"

*More sizes available, check price book pg.48-49

Note: All above shelving units can be ordered as standard units with 3 or 5 shelves per unit, by simply changing the last digit in the model number to reflect the correct number desired - See price book pg. 48-49
(Ex. SX-3018-5S, SX-3018-3L)

Specifications subject to change without notice.

SX-70 0823