

## General Information

Project Name: \_\_\_\_\_

Consultant: \_\_\_\_\_

Item #: \_\_\_\_\_

Model #: \_\_\_\_\_

Quantity: \_\_\_\_\_



Shown w/  
Optional Casters

## Specifications

**SSS** High Security Shelving is produced from 14GA 18-8 type 300 series stainless steel, shelf edges turned down 90 degrees and in at 45 degree angle, with corners notched and continuously welded to upright posts.

Uprights are 1 $\frac{5}{8}$ " OD, 16GA 18-8 type 300 series stainless steel posts, with welded-in top caps, and non-removable, sanitary, adjustable stainless steel feet. All shelving units and components are NSF approved and all exposed surfaces finished brush satin.

## Product Guide

SSS shelves are recommended for high security facilities and federal correctional facilities or where all welded shelving is required.

Solid surface design provides easy access and quick clean up of spills. Large louvers allow uniform heat distribution.

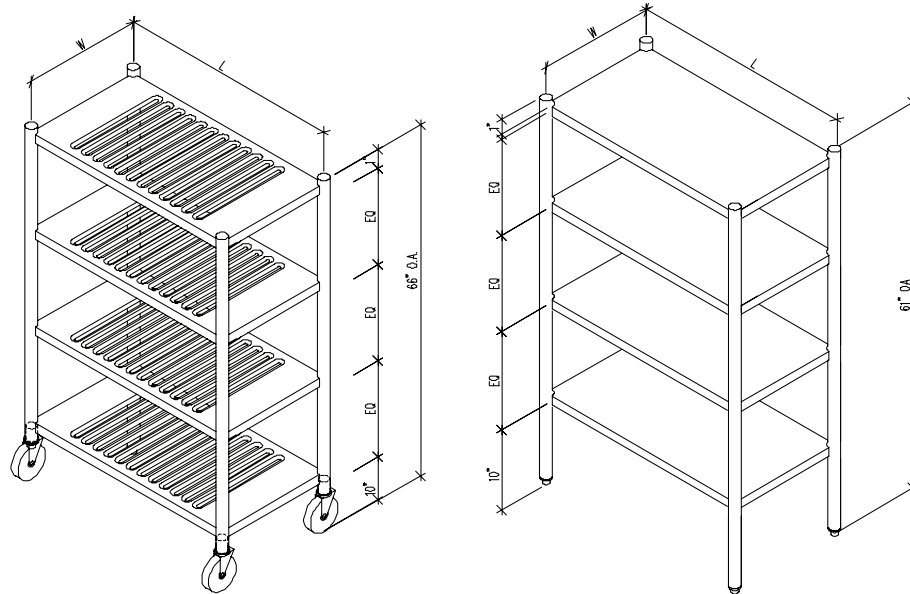
Stationary units provided with stainless steel posi-grip adjustable foot welded inserts.

Mobile units provided with welded 5" casters. See selection guide and information.

## Options

- RC-5** - 5" Rubber Casters - Standard
- PCY-5** - 5" Poly Casters - Heavy Duty
- PCYS-5** - 5" S/S Poly Casters - Heavy Duty
- PPC-5** - 5" Plate Poly Casters - Heavy Duty
- GF-2** - Grease Fittings
- FF-50** - S/S Flanged Feet
- BAC** - Brakes on All Casters
- RB-10** - Revolving Bumpers
- GA-12** - 12GA Upgrade
- SRE-60** - Shelf Reinforcement (Solid Only)
- PLG-70** - Perimeter Ledge
- SEI-80** - Seismic Earthquake Shelving

## DRAWINGS



Louvered Shelving Units 4-Tier Complete Unit					
Model	Size (W x L)	Model	Size (W x L)	Model	Size (W x L)
□ SSS-3018-4L	18" x 30"	□ SSS-3021-4L	21" x 30"	□ SSS-3024-4L	24" x 30"
□ SSS-3618-4L	18" x 36"	□ SSS-3621-4L	21" x 36"	□ SSS-3624-4L	24" x 36"
□ SSS-4218-4L	18" x 42"	□ SSS-4221-4L	21" x 42"	□ SSS-4224-4L	24" x 42"
□ SSS-4818-4L	18" x 48"	□ SSS-4821-4L	21" x 48"	□ SSS-4824-4L	24" x 48"
□ SSS-5418-4L	18" x 54"	□ SSS-5421-4L	21" x 54"	□ SSS-5424-4L	24" x 54"
□ SSS-6018-4L	18" x 60"	□ SSS-6021-4L	21" x 60"	□ SSS-6024-4L	24" x 60"

Solid Shelving Units 4-Tier Complete Unit					
Model	Size (W x L)	Model	Size (W x L)	Model	Size (W x L)
□ SSS-3018-4S	18" x 30"	□ SSS-3021-4S	21" x 30"	□ SSS-3024-4S	24" x 30"
□ SSS-3618-4S	18" x 36"	□ SSS-3621-4S	21" x 36"	□ SSS-3624-4S	24" x 36"
□ SSS-4218-4S	18" x 42"	□ SSS-4221-4S	21" x 42"	□ SSS-4224-4S	24" x 42"
□ SSS-4818-4S	18" x 48"	□ SSS-4821-4S	21" x 48"	□ SSS-4824-4S	24" x 48"
□ SSS-5418-4S	18" x 54"	□ SSS-5421-4S	21" x 54"	□ SSS-5424-4S	24" x 54"
□ SSS-6018-4S	18" x 60"	□ SSS-6021-4S	21" x 60"	□ SSS-6024-4S	24" x 60"

\*More sizes available, check price book pg.50-51

**Note:** All above shelving units can be ordered as standard units with 3 or 5 shelves per unit, by simply changing the last digit in the model number to reflect the correct number of tiers desired - See price book pg. 50-51  
 (Ex. SSS-3018-5S, SSS-3018-3L)

Specifications subject to change without notice.

SSS-70 0823