

General Information

Project Name: _____

Consultant: _____

Item #: _____

Model #: _____

Quantity: _____



BCS Model shown here
with optional (IS7U)
Integral Sink & optional
(RGLH) Faucet

Specifications

BC Model Worktop Base Model is constructed of 16GA type 300 series stainless steel with sanitary marine top work surface. Flush, open front cabinet to have ends, rear and bottom of 18GA stainless steel, stainless steel bottom shelf, seamless construction, welded and ground smooth.

Interior fitted with one (1) 18GA stainless steel intermediate shelf, adjustable and removable without tools. Cabinet has built-in 3" recessed toe space. Optional sliding doors are 18GA stainless steel with flush pulls and ball bearing bottom rollers, operating in sanitary open track. Hinged doors have pull handles and food grade hinges.

Product Guide

IMC Cabinets provide flexibility in designing storage space in the facility. Heavy duty rugged design. Add locks for security.

Choices in size and location of sink provides efficient work flow within the area.

Options*

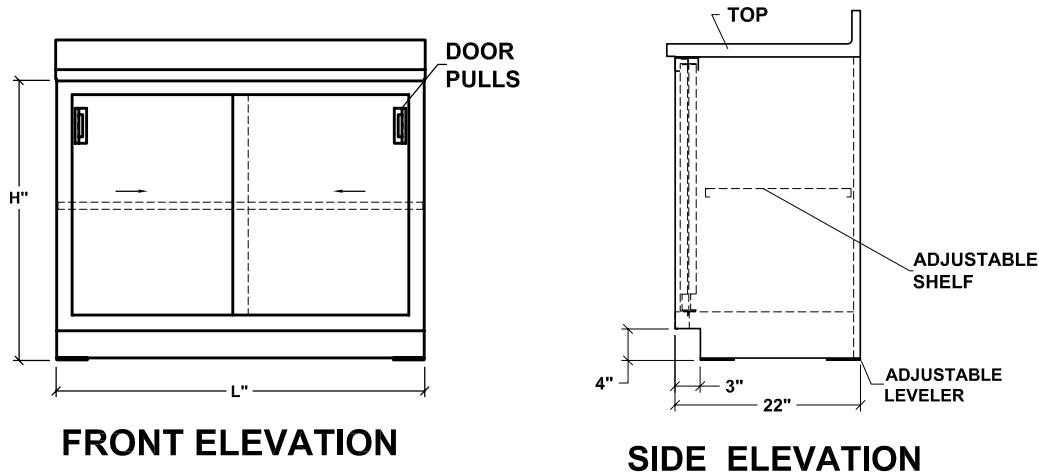
- PPC-5** - 5" Plate Poly Casters (4)
- PPC-6** - 5" Dia. Swivel Plate Casters with Brakes (6)
- DPG** - Drip Pan & Grate, per 4'-0" unit
- EXSH** - Extra Shelf (2 Standard)
- DBS** - Three Tier Drawer with Body & S/S Inserts
- DBP** - Three Tier Drawer with Body & Plastic Inserts
- CHE** - Concealed Hinge/Euro Style Door (Each)
- DRL** - Door Lock
- KEY** - Replacement Keys
- GA-14** - 14GA Sinks/Tops
- LDO** - Lever Drain with Overflow
- DP** - Drainboard Pitch for Sink
- LD** - Lever Drain
- BS4** - 4" Backsplash
- SS4** - 4" Side Splash
- SP4-8** - Splash 4" to 8" High

*See Price List for Complete Options



BC-70 0321

DRAWINGS



BASE CABINET

Open Front Model #	Hinged Doors Model #	Sliding Doors Model #	Size (W x L x H)	Doors
<input type="checkbox"/> BC-2424	<input type="checkbox"/> BCH-2424	-	24" x 24" x 36"	1
<input type="checkbox"/> BC-2430	<input type="checkbox"/> BCH-2430	-	24" x 30" x 36"	1
<input type="checkbox"/> BC-2436	<input type="checkbox"/> BCH-2436	<input type="checkbox"/> BCS-2436	24" x 36" x 36"	2
<input type="checkbox"/> BC-2448	<input type="checkbox"/> BCH-2448	<input type="checkbox"/> BCS-2448	24" x 48" x 36"	2
<input type="checkbox"/> BC-2460	<input type="checkbox"/> BCH-2460	<input type="checkbox"/> BCS-2460	24" x 60" x 36"	2
<input type="checkbox"/> BC-2472	<input type="checkbox"/> BCH-2472	<input type="checkbox"/> BCS-2472	24" x 72" x 36"	3
<input type="checkbox"/> BC-2484	<input type="checkbox"/> BCH-2484	<input type="checkbox"/> BCS-2484	24" x 84" x 36"	4
<input type="checkbox"/> BC-2496	<input type="checkbox"/> BCH-2496	<input type="checkbox"/> BCS-2496	24" x 96" x 36"	4
<input type="checkbox"/> BC-24108	<input type="checkbox"/> BCH-24108	<input type="checkbox"/> BCS-24108	24" x 108" x 36"	4
<input type="checkbox"/> BC-24120	<input type="checkbox"/> BCH-24120	<input type="checkbox"/> BCS-24120	24" x 120" x 36"	4
<input type="checkbox"/> BC-24132	<input type="checkbox"/> BCH-24132	<input type="checkbox"/> BCS-24132	24" x 132" x 36"	4
<input type="checkbox"/> BC-24144	<input type="checkbox"/> BCH-24144	<input type="checkbox"/> BCS-24144	24" x 144" x 36"	4
<input type="checkbox"/> BC-3024	<input type="checkbox"/> BCH-3024	-	30" x 24" x 36"	1
<input type="checkbox"/> BC-3030	<input type="checkbox"/> BCH-3030	-	30" x 30" x 36"	1
<input type="checkbox"/> BC-3036	<input type="checkbox"/> BCH-3036	<input type="checkbox"/> BCS-3036	30" x 36" x 36"	2
<input type="checkbox"/> BC-3048	<input type="checkbox"/> BCH-3048	<input type="checkbox"/> BCS-3048	30" x 48" x 36"	2
<input type="checkbox"/> BC-3060	<input type="checkbox"/> BCH-3060	<input type="checkbox"/> BCS-3060	30" x 60" x 36"	2
<input type="checkbox"/> BC-3072	<input type="checkbox"/> BCH-3072	<input type="checkbox"/> BCS-3072	30" x 72" x 36"	3
<input type="checkbox"/> BC-3084	<input type="checkbox"/> BCH-3084	<input type="checkbox"/> BCS-3084	30" x 84" x 36"	4
<input type="checkbox"/> BC-3096	<input type="checkbox"/> BCH-3096	<input type="checkbox"/> BCS-3096	30" x 96" x 36"	4
<input type="checkbox"/> BC-30108	<input type="checkbox"/> BCH-30108	<input type="checkbox"/> BCS-30108	30" x 108" x 36"	4
<input type="checkbox"/> BC-30120	<input type="checkbox"/> BCH-30120	<input type="checkbox"/> BCS-30120	30" x 120" x 36"	4
<input type="checkbox"/> BC-30132	<input type="checkbox"/> BCH-30132	<input type="checkbox"/> BCS-30132	30" x 132" x 36"	4
<input type="checkbox"/> BC-30144	<input type="checkbox"/> BCH-30144	<input type="checkbox"/> BCS-30144	30" x 144" x 36"	4
<input type="checkbox"/> BC-3630	<input type="checkbox"/> BCH-3630	-	36" x 30" x 36"	1
<input type="checkbox"/> BC-3636	<input type="checkbox"/> BCH-3636	<input type="checkbox"/> BCS-3636	36" x 36" x 36"	2
<input type="checkbox"/> BC-3648	<input type="checkbox"/> BCH-3648	<input type="checkbox"/> BCS-3648	36" x 48" x 36"	2
<input type="checkbox"/> BC-3660	<input type="checkbox"/> BCH-3660	<input type="checkbox"/> BCS-3660	36" x 60" x 36"	2
<input type="checkbox"/> BC-3672	<input type="checkbox"/> BCH-3672	<input type="checkbox"/> BCS-3672	36" x 72" x 36"	3
<input type="checkbox"/> BC-3684	<input type="checkbox"/> BCH-3684	<input type="checkbox"/> BCS-3684	36" x 84" x 36"	4
<input type="checkbox"/> BC-3696	<input type="checkbox"/> BCH-3696	<input type="checkbox"/> BCS-3696	36" x 96" x 36"	4
<input type="checkbox"/> BC-36108	<input type="checkbox"/> BCH-36108	<input type="checkbox"/> BCS-36108	36" x 108" x 36"	4
<input type="checkbox"/> BC-36120	<input type="checkbox"/> BCH-36120	<input type="checkbox"/> BCS-36120	36" x 120" x 36"	4
<input type="checkbox"/> BC-36132	<input type="checkbox"/> BCH-36132	<input type="checkbox"/> BCS-36132	36" x 132" x 36"	4
<input type="checkbox"/> BC-36144	<input type="checkbox"/> BCH-36144	<input type="checkbox"/> BCS-36144	36" x 144" x 36"	4

Specifications subject to change without notice.

BC-70 0321