

### General Information

Project Name: \_\_\_\_\_

Consultant: \_\_\_\_\_

Item #: \_\_\_\_\_

Model #: \_\_\_\_\_

Quantity: \_\_\_\_\_



Model #CSW9-2DX

### Specifications

**CSW9** Space Saver Wall Hand Sink is constructed of 20GA type 300 series stainless steel, with integral backsplash and apron. Sink bowl is deep drawn with marine edges and built-in pitch to 1 $\frac{7}{8}$ " waste outlet. Stainless steel front apron conceals bowl. Mount to wall with wall screws through top and lower brackets. Sink bowl is 9" x 9" x 5".

Includes electronic faucet model #EFD-1SG & model #T "P" Trap.

Sink is mounted to wall with screws through rear flanges and offset wall strip.

### Product Guide

CS Hand Sinks are dual designed for Institutional and Commercial applications. For use in kitchens and public areas, with abuse resistant features, such as integral apron, multi-point mounting surfaces and high quality faucets.

These sinks are an economical version of Models WS and HS Sinks.

Options are designed to make the sink suitable for a variety of locations throughout the facility, such as prep areas, administrative, receiving and shipping and public areas.

### Options

- SS** - Side Splashes (Pair)
- RSOD** - Rear Sink Overflow Drain
- KNV** - Double Knee Valve
- LD-2** - Lever Drain
- LDO-2** - Lever Drain w/ Overflow
- FPV** - Heavy Duty Foot Pedal Valve



Model #CSW9-2D-SSX  
(See Above for Options)

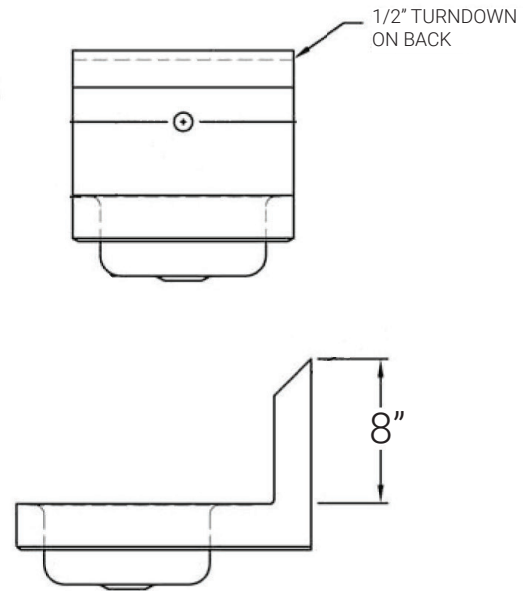
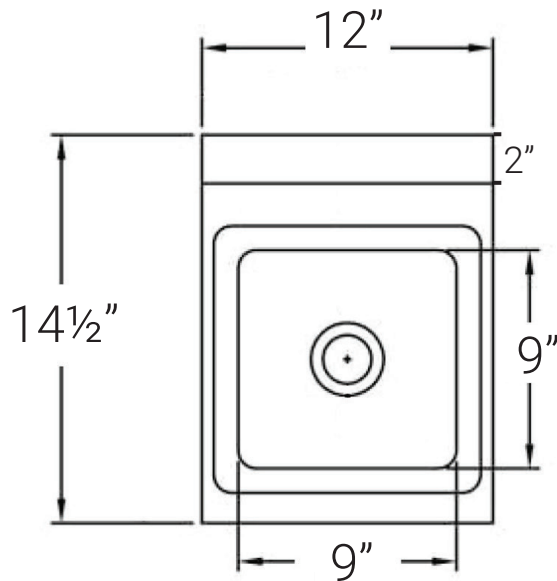
### WALL HAND SINK - CSW9

Sink Only Model	Sink w/ Faucet Model	Faucet Mounting	Overall Size (w x d)	Bowl Dim. (l x w x d)	Drain Size
<input type="checkbox"/> CSW9-1SX	<input type="checkbox"/> CSW9-1S	1 Hole Splash	12" x 14 $\frac{1}{2}$ "	9" x 9" x 5"	1 $\frac{7}{8}$ "
<input type="checkbox"/> CSW9-2SX	<input type="checkbox"/> CSW9-2S	4" OC Splash	12" x 14 $\frac{1}{2}$ "	9" x 9" x 5"	1 $\frac{7}{8}$ "
<input type="checkbox"/> CSW9-1DX	<input type="checkbox"/> CSW9-1D	1 Hole Deck	12" x 14 $\frac{1}{2}$ "	9" x 9" x 5"	1 $\frac{7}{8}$ "
<input type="checkbox"/> CSW9-2DX	<input type="checkbox"/> CSW9-2D	4" OC Deck	12" x 14 $\frac{1}{2}$ "	9" x 9" x 5"	1 $\frac{7}{8}$ "
<input type="checkbox"/> CSW9-1S-SSX	<input type="checkbox"/> CSW9-1S-SS	1 Hole Splash	12" x 14 $\frac{1}{2}$ "	9" x 9" x 5"	1 $\frac{7}{8}$ "
<input type="checkbox"/> CSW9-2D-SSX	<input type="checkbox"/> CSW9-2D-SS	4" OC Deck	12" x 14 $\frac{1}{2}$ "	9" x 9" x 5"	1 $\frac{7}{8}$ "
<input type="checkbox"/> CSW9-2S-SSX	<input type="checkbox"/> CSW9-2S-SS	4" OC Splash	12" x 14 $\frac{1}{2}$ "	9" x 9" x 5"	1 $\frac{7}{8}$ "



CSW9-50 0823

## DRAWINGS



## ACCESSORIES

(See Price Book Pg. 66-68)



Specifications subject to change without notice.

CSW9-50 0823