

General Information

Project Name: _____

Consultant: _____

Item #: _____

Model #: _____

Quantity: _____



Shown with Left & Right Drainboards

Specifications

SCS-2 Model Scullery Sinks are constructed of 14GA or 16GA type 300 series stainless steel with single or multi-compartment bowls and double wall separators. Sinks are mounted on 16GA, 1⁵/₈ stainless steel tubes with stainless steel adjustable feet for leveling. Sink bowls are coved at all corners and pitched to a 3¹/₂" waste cutout.

Full length backsplash is 10" high and holes for faucets 8" on center accommodates your choice of faucets. The entire unit is finished with a satin brush finish. Drainboard extensions are separately supported with stainless steel legs, as required.

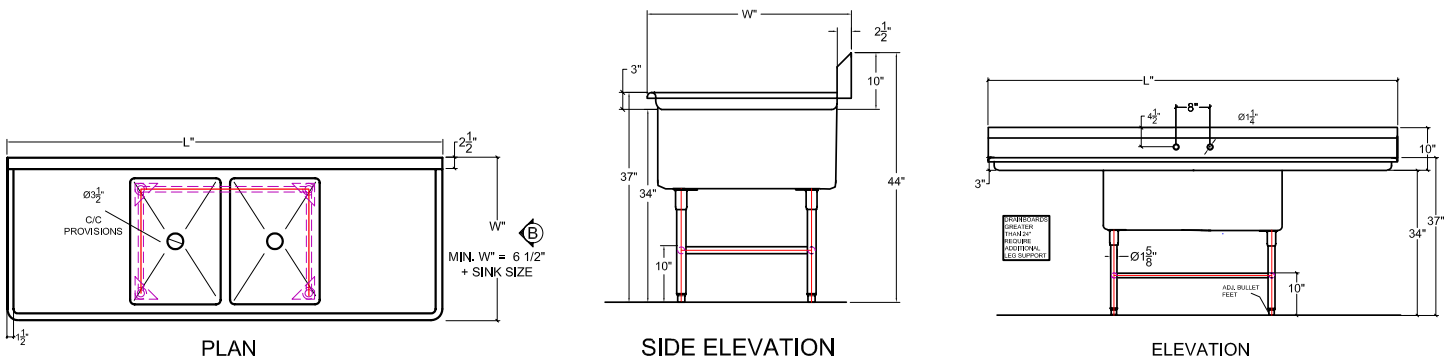
Sound Deadening is standard on all scullery sinks.

Product Guide

IMC Scullery/Service Sinks Model "SCS" are designed for heavy duty application in large or medium Institutional Facilities or where constant use is likely.

Options available are designed to make this product suitable in a variety of locations in the facility for applications, such as Deli, Vegetable or Bakery sinks or for pot cleaning.

DRAWINGS



*Non-flush front: add sink bowl size + 6 1/2" for extra width



SCS-2 90 0322

2 COMPARTMENT SCULLERY SINK

1 Drainboard				
14GA Model	16GA Model	Overall Size (W x L x H)	Bowl Size	Drainboard Length
<input type="checkbox"/> SCS-24-1620-18R	<input type="checkbox"/> SCS-26-1620-18R	24" x 52½" x 44"	16" x 20"	18"
<input type="checkbox"/> SCS-24-1620-24R	<input type="checkbox"/> SCS-26-1620-24R	24" x 58½" x 44"	16" x 20"	24"
<input type="checkbox"/> SCS-24-1620-30R	<input type="checkbox"/> SCS-26-1620-30R	24" x 64½" x 44"	16" x 20"	30"
<input type="checkbox"/> SCS-24-1620-36R	<input type="checkbox"/> SCS-26-1620-36R	24" x 70½" x 44"	16" x 20"	36"
<input type="checkbox"/> SCS-24-2020-20R	<input type="checkbox"/> SCS-26-2020-20R	24" x 62½" x 44"	20" x 20"	20"
<input type="checkbox"/> SCS-24-2020-24R	<input type="checkbox"/> SCS-26-2020-24R	24" x 66½" x 44"	20" x 20"	24"
<input type="checkbox"/> SCS-24-2020-30R	<input type="checkbox"/> SCS-26-2020-30R	24" x 72½" x 44"	20" x 20"	30"
<input type="checkbox"/> SCS-24-2020-36R	<input type="checkbox"/> SCS-26-2020-36R	24" x 78½" x 44"	20" x 20"	36"
<input type="checkbox"/> SCS-24-2424-24R	<input type="checkbox"/> SCS-26-2424-24R	28" x 74½" x 44"	24" x 24"	24"
<input type="checkbox"/> SCS-24-2424-30R	<input type="checkbox"/> SCS-26-2424-30R	28" x 80½" x 44"	24" x 24"	30"
<input type="checkbox"/> SCS-24-2424-36R	<input type="checkbox"/> SCS-26-2424-36R	28" x 86½" x 44"	24" x 24"	36"
<input type="checkbox"/> SCS-24-2028-24R	<input type="checkbox"/> SCS-26-2028-24R	32" x 66½" x 44"	20" x 28"	24"
<input type="checkbox"/> SCS-24-2028-30R	<input type="checkbox"/> SCS-26-2028-30R	32" x 72½" x 44"	20" x 28"	30"
<input type="checkbox"/> SCS-24-2028-36R	<input type="checkbox"/> SCS-26-2028-36R	32" x 78½" x 44"	20" x 28"	36"
2 Drainboards				
14GA Model	16GA Model	Overall Size (W x L x H)	Bowl Size	Drainboard Length
<input type="checkbox"/> SCS-24-1620-18RL	<input type="checkbox"/> SCS-26-1620-18RL	24" x 69" x 44"	16" x 20"	18"
<input type="checkbox"/> SCS-24-1620-24RL	<input type="checkbox"/> SCS-26-1620-24RL	24" x 81" x 44"	16" x 20"	24"
<input type="checkbox"/> SCS-24-1620-30RL	<input type="checkbox"/> SCS-26-1620-30RL	24" x 93" x 44"	16" x 20"	30"
<input type="checkbox"/> SCS-24-1620-36RL	<input type="checkbox"/> SCS-26-1620-36RL	24" x 105" x 44"	16" x 20"	36"
<input type="checkbox"/> SCS-24-2020-20RL	<input type="checkbox"/> SCS-26-2020-20RL	24" x 81" x 44"	20" x 20"	20"
<input type="checkbox"/> SCS-24-2020-24RL	<input type="checkbox"/> SCS-26-2020-24RL	24" x 89" x 44"	20" x 20"	24"
<input type="checkbox"/> SCS-24-2020-30RL	<input type="checkbox"/> SCS-26-2020-30RL	24" x 101" x 44"	20" x 20"	30"
<input type="checkbox"/> SCS-24-2020-36RL	<input type="checkbox"/> SCS-26-2020-36RL	24" x 113" x 44"	20" x 20"	36"
<input type="checkbox"/> SCS-24-2424-24RL	<input type="checkbox"/> SCS-26-2424-24RL	28" x 97" x 44"	24" x 24"	24"
<input type="checkbox"/> SCS-24-2424-30RL	<input type="checkbox"/> SCS-26-2424-30RL	28" x 109" x 44"	24" x 24"	30"
<input type="checkbox"/> SCS-24-2424-36RL	<input type="checkbox"/> SCS-26-2424-36RL	28" x 121" x 44"	24" x 24"	36"
<input type="checkbox"/> SCS-24-2028-24RL	<input type="checkbox"/> SCS-26-2028-24RL	32" x 89" x 44"	20" x 28"	24"
<input type="checkbox"/> SCS-24-2028-30RL	<input type="checkbox"/> SCS-26-2028-30RL	32" x 101" x 44"	20" x 28"	30"
<input type="checkbox"/> SCS-24-2028-36RL	<input type="checkbox"/> SCS-26-2028-36RL	32" x 113" x 44"	20" x 28"	36"

OPTIONS*

- | | | |
|---|---|--|
| <input type="checkbox"/> SB - Scrap Basket | <input type="checkbox"/> SCV - Sink Cover - Stainless Steel | <input type="checkbox"/> STG - S/S Perforated Sanitizer Guard |
| <input type="checkbox"/> SRB - Scrap Block | <input type="checkbox"/> CST - Cover Storage Compartment | <input type="checkbox"/> ESB - Enclosed Backsplash |
| <input type="checkbox"/> CRT - Corner Turn | <input type="checkbox"/> PVH - Provision for Heater | <input type="checkbox"/> SPB - Support Bracket for Lever Drain Handle |
| <input type="checkbox"/> XDRB - Extra Drainboard | <input type="checkbox"/> PWP - Provision for Water Pump | <input type="checkbox"/> PRFF - Pre-Rinse Unit - 4" Centers, Splash Mounted |
| <input type="checkbox"/> RG - Rack Guide | <input type="checkbox"/> DP - Drainboard Pitched to Sink | <input type="checkbox"/> PUD - Provision for Undercounter Dishwasher |
| <input type="checkbox"/> CC - Column Cut Out | <input type="checkbox"/> SSU - Stainless Steel Undershelf | <input type="checkbox"/> SSA - Stainless Steel Apron |
| <input type="checkbox"/> WHR - Working Height Revision | <input type="checkbox"/> RSP - Integral Side Splash (Each) | <input type="checkbox"/> CB - Cutting Board |
| <input type="checkbox"/> WTR-48 - Waste Trough 6" x 48" x 4" Deep | <input type="checkbox"/> NFF - Non-Flush Front (Increases W) | <input type="checkbox"/> OFC - Overflow Compartment |
| <input type="checkbox"/> FF-50 - Flanged Feet (Each) | <input type="checkbox"/> LD - Lever Drain | |
| <input type="checkbox"/> BDR - Basket Drain | <input type="checkbox"/> LDO - Lever Drain with Overflow | |
| <input type="checkbox"/> 16D-2 - 16" Deep Sink in Lieu of Standard | <input type="checkbox"/> KPSF - 12" Kettle & Pot Sink Faucet | |

*See Price List for Complete Options

Specifications subject to change without notice.

SCS-2 90 0322