

## General Information

Project Name: \_\_\_\_\_

Consultant: \_\_\_\_\_

Item #: \_\_\_\_\_

Model #: \_\_\_\_\_

Quantity: \_\_\_\_\_



Model #ES-3618-4L  
Shown w/ Optional  
Casters

## Specifications

**ES** Medium Duty Shelving is produced from 16GA type 300 series stainless steel. Shelf edges are turned down 90 degrees and in 45 degrees, with stainless steel gussets welded to corners and secured to posts with posi-loc screws.

Posts are 1 $\frac{5}{8}$ " OD tubes, 16GA type 300 series stainless steel, with top caps, and adjustable stainless steel feet. All shelving units and components are NSF approved and all exposed surfaces finished brush satin.

## Product Guide

Install in high use areas, or transporting filled cans, jars or bulk food containers.

Easily assembled and adjusted.

Solid surface design permits quick clean up of spills. Louvers allow uniform temperature distribution.

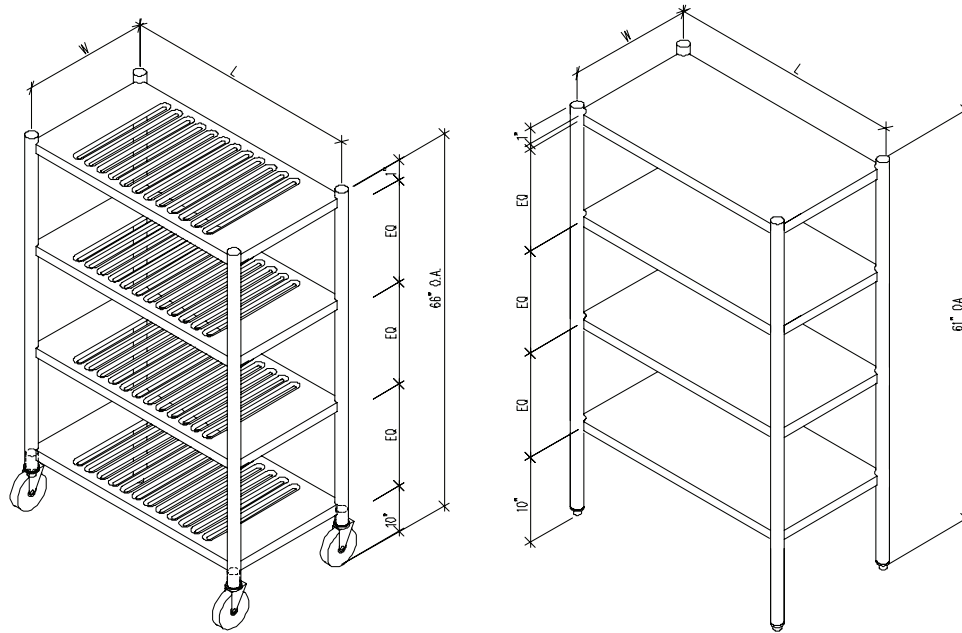
Stationary units have stainless steel posi-grip adjustable foot inserts.

Mobile units provided with 5" casters. See selection guide and information.

## Options

- RC-5** - 5" Rubber Casters - Standard
- PCY-5** - 5" Poly Casters - Heavy Duty
- PCYS-5** - 5" S/S Poly Casters - Heavy Duty
- PPC-5** - 5" Plate Poly Casters - Heavy Duty
- GF-2** - Grease Fittings
- FF-50** - S/S Flanged Feet
- BAC** - Brakes on All Casters
- RB-10** - Revolving Bumpers
- CBM-20** - Corner Bumpers
- BF-40** - S/S Bullet Feet
- AES** - Aeroform Shelves
- GA-12** - 12GA Upgrade
- GA-14** - 14GA Upgrade
- SRE-60** - Shelf Reinforcement (Solid Only)
- PLG-70** - Perimeter Ledge
- SEI-80** - Seismic Earthquake Shelving
- WELD** - Set-Up & Welded Unit
- PCAP** - Post Caps

### DRAWINGS



Louvered Shelving Units 4-Tier Complete Unit					
Model	Size (W x L)	Model	Size (W x L)	Model	Size (W x L)
□ ES-3018-4L	18" x 30"	□ ES-3021-4L	21" x 30"	□ ES-3024-4L	24" x 30"
□ ES-3618-4L	18" x 36"	□ ES-3621-4L	21" x 36"	□ ES-3624-4L	24" x 36"
□ ES-4218-4L	18" x 42"	□ ES-4221-4L	21" x 42"	□ ES-4224-4L	24" x 42"
□ ES-4818-4L	18" x 48"	□ ES-4821-4L	21" x 48"	□ ES-4824-4L	24" x 48"
□ ES-5418-4L	18" x 54"	□ ES-5421-4L	21" x 54"	□ ES-5424-4L	24" x 54"
□ ES-6018-4L	18" x 60"	□ ES-6021-4L	21" x 60"	□ ES-6024-4L	24" x 60"

Solid Shelving Units 4-Tier Complete Unit					
Model	Size (W x L)	Model	Size (W x L)	Model	Size (W x L)
□ ES-3018-4S	18" x 30"	□ ES-3021-4S	21" x 30"	□ ES-3024-4S	24" x 30"
□ ES-3618-4S	18" x 36"	□ ES-3621-4S	21" x 36"	□ ES-3624-4S	24" x 36"
□ ES-4218-4S	18" x 42"	□ ES-4221-4S	21" x 42"	□ ES-4224-4S	24" x 42"
□ ES-4818-4S	18" x 48"	□ ES-4821-4S	21" x 48"	□ ES-4824-4S	24" x 48"
□ ES-5418-4S	18" x 54"	□ ES-5421-4S	21" x 54"	□ ES-5424-4S	24" x 54"
□ ES-6018-4S	18" x 60"	□ ES-6021-4S	21" x 60"	□ ES-6024-4S	24" x 60"

\*More sizes available, check price book pg.44-45

**Note:** All above shelving units can be ordered as standard units with 3 or 5 shelves per unit, by simply changing the last digit in the model number to reflect the correct number desired - See price book pg. 44-45  
 (Ex. ES-3018-5S, ES-3018-3L)

Specifications subject to change without notice.

ES-80 0823