

 **General Information**

Project Name: _____

Consultant: _____

Item #: _____

Model #: _____

Quantity: _____



 **Specifications**

CSB Hand Sink is constructed of 20GA type 300 series stainless steel, with integral backsplash and apron. Sink bowl is deep drawn with non-drip edges and built-in pitch to 1½" waste outlet. Stainless steel front apron conceals bowl. Mount to wall with wall screws through top and lower brackets. Sink bowl is 14" x 10" x 5".

Sink is furnished with a full size base mechanically attached to the apron and fully enclosing all plumbing.

 **Product Guide**

CS Hand Sinks are dual designed for Institutional and Commercial applications. For use in kitchens and public areas, with abuse resistant features, such as integral apron, multi-point mounting surfaces and high quality faucets.

These sinks are an economical version of Models WS and HS Sinks.

Options are designed to make the sink suitable for a variety of locations throughout the facility, such as prep areas, administrative, receiving and shipping and public areas.

 **Options**

- SS** - Side Splashes (Pair)
- TWB** - Tubular Wall Brackets
- RSOD** - Rear Sink Overflow Drain
- CBW** - Custom Bowl Size

FREE STANDING HAND SINK - CSB

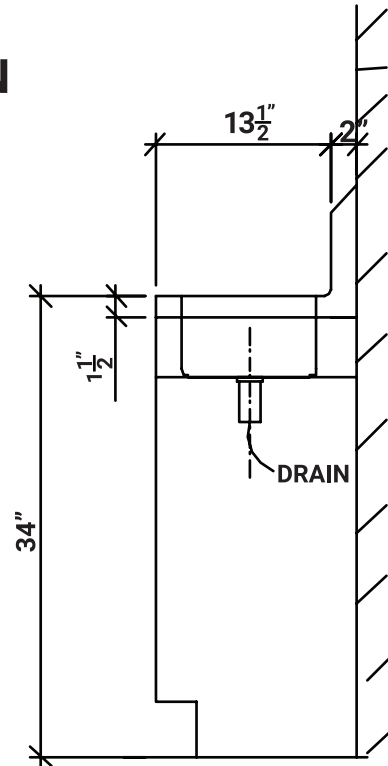
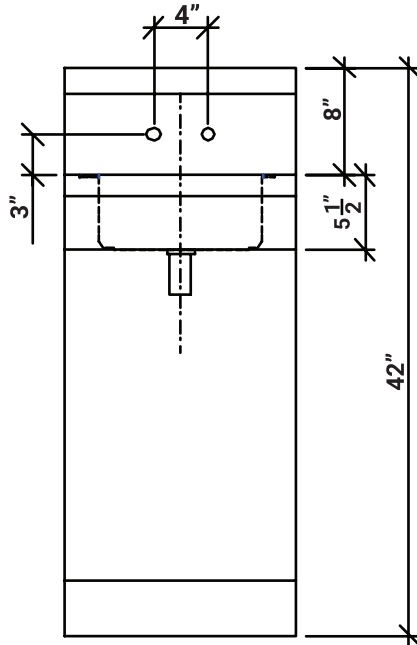
Model	Description	Overall Size
<input type="checkbox"/> CSB	With Faucet	15½" x 17" x 42"
<input type="checkbox"/> CSB-X	Without Faucet	15½" x 17" x 42"





DRAWINGS

PLAN



ACCESSORIES

(See Price Book Pg. 66-68)



RGLH
Gooseneck Faucet



EFD
Electronic Faucet



KNV
Double Knee
Valve & Gooseneck
Spout



EW-S
Eye Wash Faucet



TD
Towel Dispenser



CTSD
Combo Towel &
Soap Dispenser



ITSD
Integral Towel &
Soap Dispenser

Specifications subject to change without notice.

CSB-010 0823