

Open Merchandisers 32E Series – Endless Design - Produce



Model No.	Description	Length	Depth	Height	Voltage	Amps	HP/BTUs	Power Cord	Est. Ship Weight
SC-P32E-4S-LED	Self Contained	50"	30"	72"	115	12.4	1/2	5-20P	700
SC-P32E-6S-LED	Self Contained	74"	30"	72"	115/208-230	11.3	3/4	L14-20P	965
SC-P32E-8S-LED	Self Contained	98"	30"	72"	115/208-230	14.3	1	L14-20P	1175
SC-P32E-6S-Bins-LED	Self Contained	74"	30"	72"	115/208-230	11.3	3/4	L14-20P	1099
SC-P32E-8S-Bins-LED	Self Contained	98"	30"	72"	115/208-230	14.3	1	L14-20P	1375
R-P32E-4S-LED	Remote	50"	30"	72"	115	1.7	4000	NO	575
R-P32E-6S-LED	Remote	74"	30"	72"	115	2.0	6000	NO	790
R-P32E-8S-LED	Remote	98"	30"	72"	115	3.4	8000	NO	1000
R-P32E-10S-LED	Remote	122"	30"	72"	115	7.0	10000	NO	1365
R-P32E-12S-LED	Remote	146"	30"	72"	115	8.0	12000	NO	1680

MODEL NUMBER PREFIX - SC = Self Contained R = Remote
 MODEL NUMBER SUFFIX - W = White B = Black S = Stainless Steel LED = LED lighting
 • Cases are designed to operate at 75 degrees Fahrenheit and 55% relative humidity
 • Cases are equipped with drains; check your local building codes for connection requirements.
 • Specification subject to change without notice
 IF COLORS ARE MIXED AN ADDITIONAL CHARGE WILL APPLY



Howard - McCray A Division of HMC Enterprises LLC • 831 East Cayuga St • Philadelphia, PA 19124 USA

(215) 464-6800 • 1-800-344-8222 • Fax (215) 969-4890 • E-Mail: sales@howardmccray.com • www.howardmccray.com

Open Merchandisers 32E Series – Endless Design - Produce

Standard Specifications and Optional Features

CONSTRUCTION

- UL Classified to ANSI/NSF 7
- Foamed in place CFC free foam
- Heavy gauge steel super structure
- Multi deck
- Endless design allows for continuous line up

INTERIOR

- White, black, or stainless steel end panels
- Removable white, black, or stainless steel floor pans
- White, black, or stainless steel perforated rear wall (for even air distribution)
- Full length lighting at top of unit
- 1 levels of lit shelving with product stop
- 2 levels of product display
- Full length mirror to enhance product display
- Stylish tag molding on each shelf

EXTERIOR

- White, black, or stainless steel ends and front
- White, black, or stainless steel color band
- Removeable front grill allows for cleaning and servicing
- 1" bumper
- Choice of end panels
- Lower dry storage bins (for the "Bins-LED" models)

FINISHES

- White, black, or stainless steel end panels
- White, black, or stainless steel front rail
- White, black, or stainless steel front color band
- White, black, or stainless steel end trim
- Laminate, and custom paints available
- Coated galvanized rear

LIGHTING

- 1 row at inside top of unit
- 1 rows of lighted shelving

ELECTRICAL REQUIREMENTS

- Unit comes with cord and plug
- UL/CUL listed
- See Tech page for details on voltage

REFRIGERATION

- SC - expansion valve system
- R - R448A expansion valve system
- Low velocity fans located below deck area (to insure even flow of air)
- Electronic Control System with automatic air defrost to Maintain Balanced Temperatures
- New high efficiency air screen technology
- Self contained system
- Copeland hermetic unit
- Remotes available

OPTIONAL FEATURES

- Night covers
- Security cover
- Peg bars
- Insulated divider for line ups
- Plexiglas divider for line ups
- Colored bumper
- Stainless steel, laminated or paint
- Product stops on shelving
- Digital thermometer

Important Note:

All refrigerated cases are designed to operate in an environment of 75 degrees and 55% relative humidity.

Product must be cooled before being displayed within the case.

DRAIN IS REQUIRED

Open Merchandisers 32E Series – Endless Design - Produce Technical Data

Model No.	SC R	SC-P32E-4S-LED R-P32E-4S-LED	SC-P32E-6S-LED R-P32E-6S-LED	SC-P32E-8S-LED R-P32E-8S-LED	R-P32E-10S-LED	R-P32E-12S-LED
Length with (2) ends		50"	74"	98"	122"	146"
Length without ends		48"	72"	96"	119"	143"
Height with ends		72"	72"	72"	72"	72"
Height without ends		71.5"	71.5"	71.5"	71.5"	71.5"
Depth with ends		30"	30"	30"	30"	30"
Depth without ends		29.5"	29.5"	29.5"	29.5"	29.5"
Endless design		YES	YES	YES	YES	YES
(Dimensions are +/- 1/4")						
Operating temperature		38°F to 41°F	38°F to 41°F	38°F to 41°F	38°F to 41°F	38°F to 41°F
Refrigerant (expansion valve)	SC	-	-	-		
Refrigerant (expansion valve)	R	R448A	R448A	R448A	R448A	R448A
Compressor size HP	SC	1/2	3/4	1		
Defrost per day (24 hours)	Air Defrost	6 per day	6 per day	6 per day	6 per day	6 per day
BTU's at +20°F Evap. Temp.	R	4000	6000	8000	10000	12000
Voltage	SC R	115	115/208-230	115/208-230 115	115	115
Amperage	SC	12.4	11.3	14.3		
Remote Voltage	R	115	115	115	115	115
Amperage, lights only	R	1.7	2.0	3.4	7.0	8.0
Cord and plug	SC R	5-20P NO	L14-20P NO	L14-20P NO	NO	NO
Exterior color		W, B, S	W, B, S	W, B, S	W, B, S	W, B, S
Interior color		W, B, S	W, B, S	W, B, S	W, B, S	W, B, S
# of rows / shelves		1	1	1	1	1
Shelf size depth		(1) 12"	(2) 12"	(2) 12"	(2) 12"	(4) 12"
Shipping Info						
Height		76"	76"	76"	76"	76"
Depth		44"	44"	44"	44"	44"
Length		61"	87"	109"	Call for Info	Call for Info
Gross weight SC/R		700/575	965/790	1175/1000	NA/1365	NA/1580
Cubic feet		116	164	206	Call for Info	Call for Info

(ALL WHITE OR ALL BLACK, NO EXTRA CHARGE—IF COLORS ARE MIXED AN ADDITIONAL CHARGE WILL APPLY)

Prefix
SC = Self Contained
R = Remote

Suffix
B = Black
W = White
S = Stainless Steel
LED = LED lighting
Bins = Bins

Bin Options

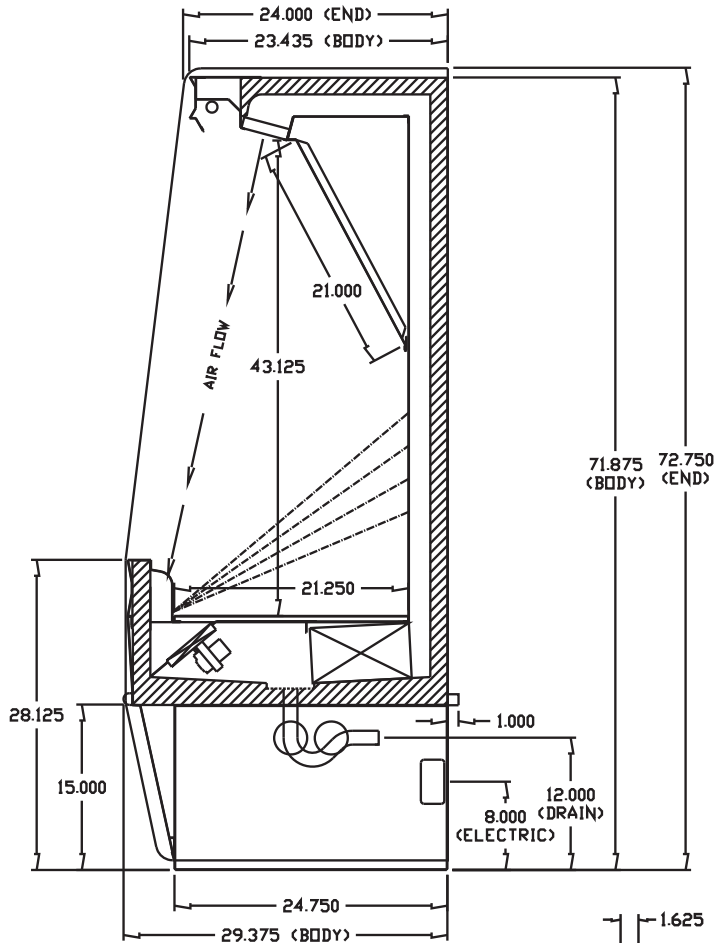
SC 6' - 1 Bin, 8' - 2 Bins
R 4' - 1 Bin, 6' - 2 Bins, 8' - 3 Bins

- Cases are designed to operate at 75 degrees Fahrenheit and 55% relative humidity
- Cases are equipped with drains; check your local building codes for connection requirements.
- Specification subject to change without notice

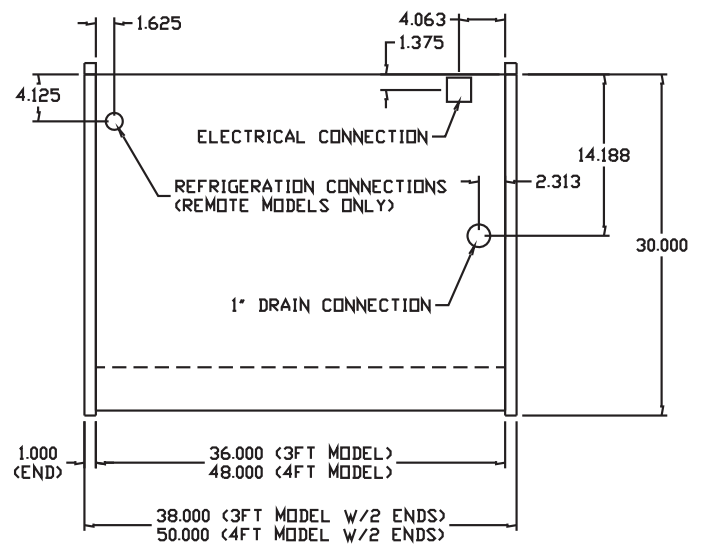
Open Merchandisers 32E Series – Endless Design - Produce

Technical Data • Side View • Plan View

SC-P32E



Side View



Plan Views

