



# Master Series Griddle Range Attachment

Item: \_\_\_\_\_  
 Quantity: \_\_\_\_\_  
 Project: \_\_\_\_\_  
 Approval: \_\_\_\_\_  
 Date: \_\_\_\_\_

Master Series Griddle Range Attachment

**Models:**

- M7S                       M7T

**17" Range Attachment With Valve Controlled Griddle**



*M7S  
With Low Profile Backguard*

**Standard Features:**

- Stainless steel front and sides
- Stainless steel door
- 6" (152mm) chrome steel adjustable legs
- 33,000 BTU (9.67 kW), "H" type burner
- 1" (25mm) thick Steel griddle plate 2-5/16" (59mm) high welded stainless steel splash guards, sides & back
- Clip on stainless steel back-splash for griddle plate
- removable stainless steel grease drawer
- Hi-Lo valve control
- Aluminized steel under all cooking surface
- Storage base interior of aluminized steel

**Optional Features:**

- Rear gas connection, 3/4" or 1-1/4" NPT
- Gas regulator 3/4" or 1-1/4"

- Gas shut off valve; 3/4", 1" or 1-1/4" NPT
- Gas flex hose & quick disconnect (3/4", 1" or 1-1/4" NPT x 5') w/restraining device, please specify
- End caps and cover (NC, specify)
- Stainless steel main back
- Stainless steel common front rail up to 102" (2591mm) wide (two or more units in a battery)
- Set of (4) Polyurethane non-marking swivel casters w/front brakes
- 6" (152mm) stainless steel adjustable legs
- Modular stand, (T model)
- Dais base, (S model)
- Storage base shelf of aluminized or stainless steel
- Stainless steel tubular high shelf, single or double deck
- Stainless steel backguard: 10" (354mm), 17" (432mm) or 33" (838mm) high

**Specifications:**

The 1" (25mm) thick steel griddle plate is 17" wide x 24-3/4" deep, (433mm x 629mm) and bordered by side and rear continuous-welded stainless steel splash guards. The 33,000 BTU, (9.67 kW), "H" burner controlled by a Hi-Lo valve provides uniform heat. Heavy gauge aluminized steel radiation baffle requires no Fire brick, heats evenly, increases thermal efficiency. Natural or propane gas. Also available with modular top, suffix T.



NOTE: Attachments supplied with casters must be installed with an approved restraining device.



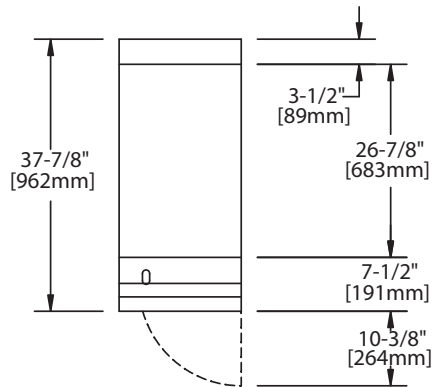
Product	Width: In(mm)	Depth: In(mm)	Height: In(mm) (w/ NSF Legs)	Height: In(mm) (w/o NSF Legs)	Storage Base Interior: in(mm)		
					Width	Depth	Height
M7S	17(432)	38(965)	36-3/8(924)	30-3/8(772)	14(356)	32-1/2(826)	20-1/2(519)
M7T	17(432)	38(965)	36-3/8(924) w/stand*	9-1/2 (241) w/o stand*	N/A	N/A	N/A

\*Modular top has 1-1/2" seating flanges.

INPUT SPECIFICATIONS	M7S	M7T
Input	33,000 BTU (9.67 kW)	33,000 BTU (9.67 kW)
Inlet/Manifold Size	1-1/4 NPT	1-1/4 NPT

S=Modular Top Attachment w /storage base, T=Modular Top w/o storage base (optional stand available)

INSTALLATION NOTES			Shipping WT: (LB/KG) – Cu Ft
Combustible Wall Clearances <sup>1</sup>	Entry Clearances	Operating Pressure	
Sides: 14" (356mm) Back: 6" (152mm)	Crated: 22 1/4" (565mm) Uncrated: 17-1/4" (438mm)	Natural: 6" WC (15mbar) Propane: 10" WC (25mbar)	M7S 260/118 – 26 M7T 155/70 – 9

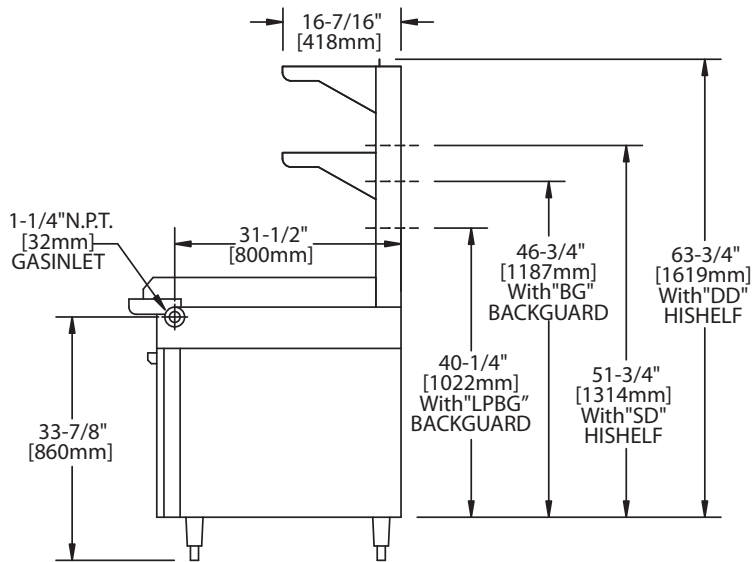
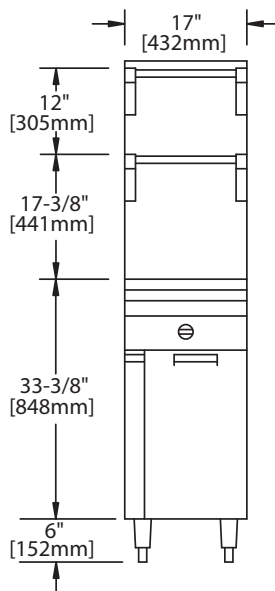


<sup>1</sup>NOTE: Installation clearance reductions are applicable only where local codes permit.

Data applies only to North America

Gas input ratings shown here are for installations up to 2,000 ft. (610m) above sea level. Specify altitudes over 2,000 ft.

Please specify gas type when ordering.



Form# M7 (04/09/13)