

# HOT WATER DISPENSER

## HWB Series

### HWB-25

25 Gallon



The **HWB-25** 25 gallon hot water dispenser is the ideal size for heavy duty food/beverage prep and cleaning tasks. Set the thermostat at the desired temperature for consistent and precise hot water dispensing for a variety of foods such as gravy, oatmeal, mashed potatoes, cheese sauce, gelatins & much more.



The green "Ready Light" indicator illuminates when hot water is ready to dispense at your preprogrammed temperature.



Protective faucet guard provides an additional level of sanitation by reducing cross-contamination from various sized containers.



The interior top and sides of the unit are fully insulated to maximize heat retention and improve efficiency.

## Water Specification

Water Inlet  
3/8 inch male flare fitting

Minimum Flow Rate  
3/4 gpm [2.8 lpm]

Water Pressure  
20-75 psig [137-517 kPa]

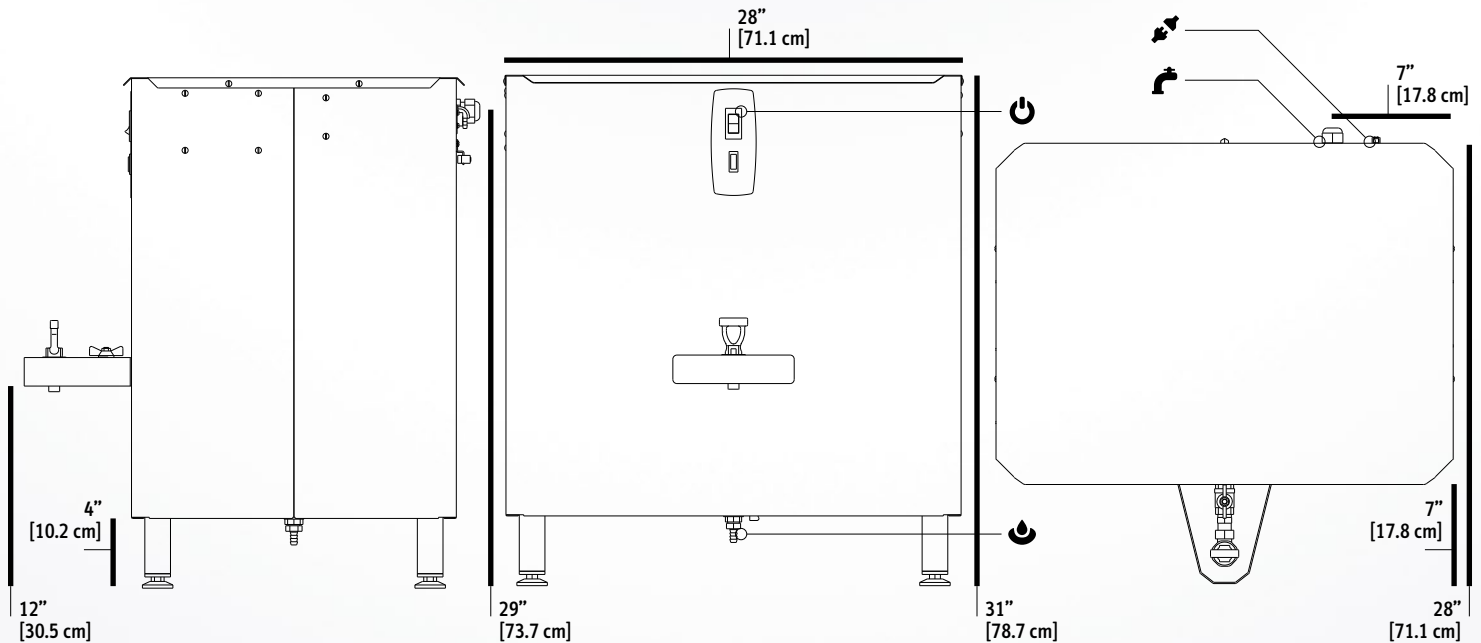
## Electrical Configuration

Configuration Code	Heater Configuration	Voltage	Phase	Wires	KW	Electrical Connection	Max Amp Draw	Gallon[Liter]/Hour
<b>US &amp; CANADA</b>								
H25011	6 x 3.0 kW	120/208-240	3	4+G	13.8-18.1	Terminal Block	38.2-44.0	34.0-45.0 [128.0-173.3] <sup>(1)</sup>
H25021	6 x 4.0 kW	120/208-240	3	4+G	18.3-24.1	Terminal Block	50.7-58.5	45.0-60.0 [173.3-227.1] <sup>(1)</sup>
<b>EXPORT</b>								
H25031	6 x 3.0 kW	220-240/380-415	3	4+G	15.4-18.1	Terminal Block	23.3-25.4	60.0 [227.1] <sup>(1)</sup>

(1) Based on standard factory settings: 200°F water.

## Measurements

Height 29 5/8" [75.2 cm]	Width 28 3/8" [71.4 cm]	Depth 27 3/4" [70.4 cm]	Empty Weight 119 lbs [53.9 kg]	Filled Weight -	Shipping Weight 160 lbs [72.5 kg]	Shipping Dimensions: 33" x 37" x 32" [84 x 94 x 81 cm]
-----------------------------	----------------------------	----------------------------	-----------------------------------	--------------------	--------------------------------------	---



- Electrical Connector
- On / Off Switch
- Tank Drain
- Water Inlet

## Cups per Hour\*

8oz. **960** 12oz. **640** 16oz. **480** 20oz. **384**

\* Approximate based on maximum power setting.

## Information

fetco.com

800.338.2699 USA  
847.719.3000

847.719.3001

Food Equipment Technologies Co.  
600 Rose Road  
Lake Zurich, IL 60047  
USA