

CBEST-5-S 72" Wide Electric Hot Food Steam Table

MODEL: CBEST-5-S

DESCRIPTION: 72" STAINLESS STEEL ELECTRIC HOT FOOD STEAM TABLE

DIMENSIONS (DWH): 30-5/8" X 72" X 34-3/8"

CUTTING BOARD SIZE: 8" X 72"



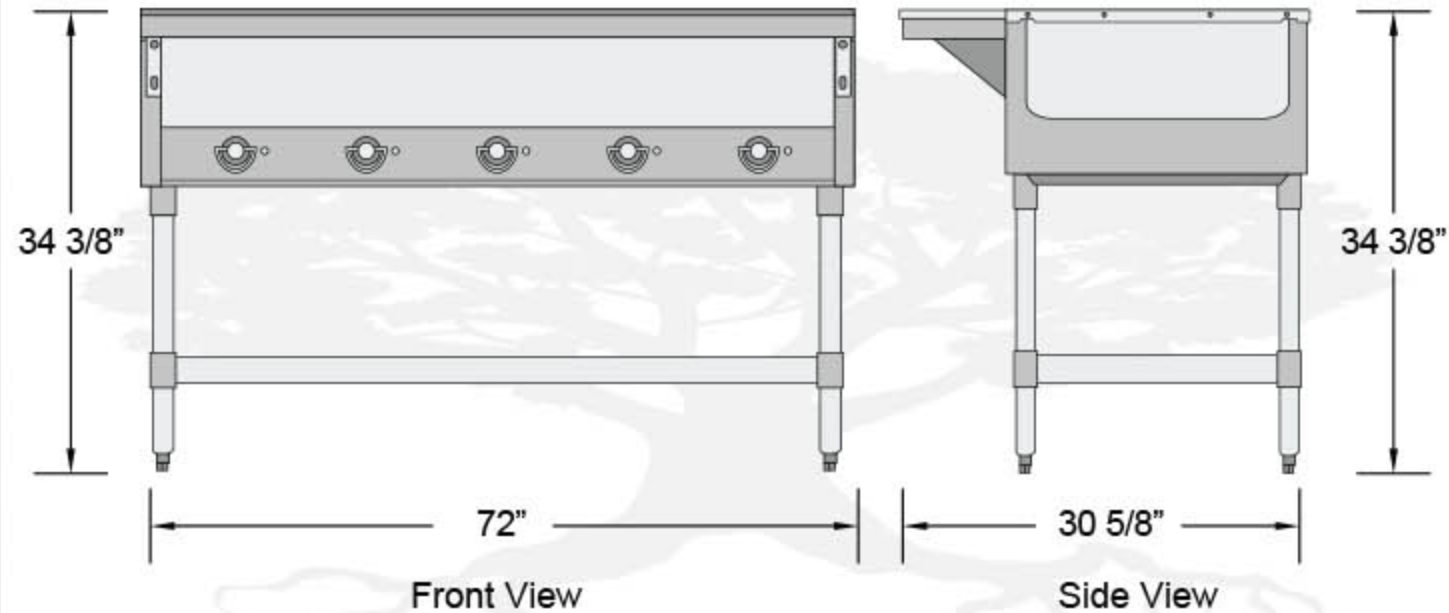
FEATURES

- 240V/60HZ, 3,750W
- 72" ELECTRICAL CORD WITH 6-30P NEMA PLUG
- 16GA.304S/S TOP
- 18GA.304S/S SEALED WELL W/ FIBERGLASS INSULATION BETWEEN WELLS
- FIVE SEALED WELL 12" X 20" X 6-1/2" W/ 1" CORNER DRAIN
- 18GA.430S/S APRON AND BACK
- 18GA.430S/S UNDERSHELF W/ ALUMINUM DIE CAST CLAMP
- 16GA.430S/S SUPPORT SHELF W/ REMOVABLE
- 1/2" THICK POLY CUTTING BOARD 8" X 72"
- INFINITE CONTROL KNOB W/ 3 SETTINGS INDICATOR LIGHT INCLUDED
- S/S LEG AND SOCKET
- S/S BULLET FEET
- CARTON BOX PACKING

OTHER MODELS AVAILABLE



Technical Information



NEMA 6-30P



Intertek



Intertek