



Undercounter Dish Tables

Dish Tables



Use your smart phone to scan the above QR code to visit our website:
www.bk-resources.com

Certifications:



Features:

- 1 5/8" Rolled Edge
- 20" x 20" x 8" Deep Sink
- 10" Backsplash
- Accepts 8" O.C. Splash Mount Faucets
- 3.5" Drain Included: BKDR-4

Options:

- Pre-Rinse Units & Faucets
- Lever Drains
- Upgraded Bullet Feet
- Pre-Rinse Basket
- Rack Slide

Material:

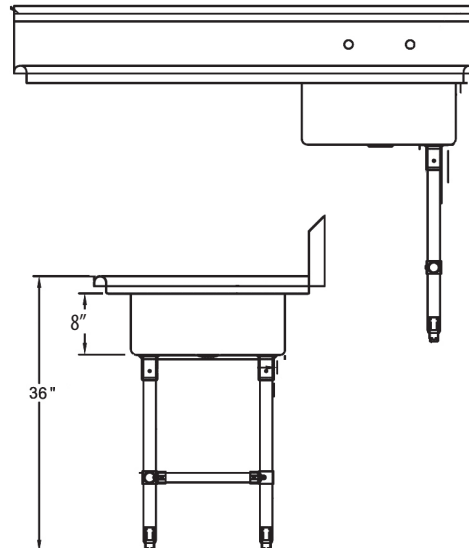
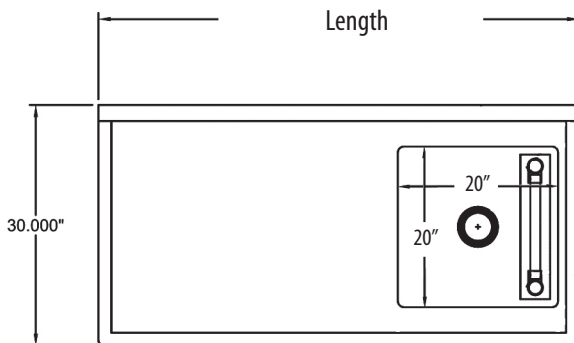
S Series: S/S w/ Stainless Steel Legs & Bracing

- T-304 18 ga. Stainless Steel Top & Bowl
- Stainless Steel Legs & Bracing
- Adjustable S/S Over Plastic Bullet Feet

G Series: S/S w/ Galvanized Legs & Bracing

- T-304 18 ga. Stainless Steel Top & Bowl
- Galvanized Legs & Bracing
- Adjustable High Impact Corrosion Resistant Feet

S Series			G Series			Sink Side
S/S w/ S/S Legs & Bracing			S/S w/ Galv. Legs & Bracing			
Length	T-304 S/S 30" Width	Product Weight (lbs)	T-304 S/S 30" Width	Product Weight (lbs)		
50"	BKUCDT-50-R-SS	63.00	BKUCDT-50-R	56.00		Right
	BKUCDT-50-L-SS	63.00	BKUCDT-50-L	56.00		Left
60"	BKUCDT-60-R-SS	71.00	BKUCDT-60-R	64.00		Right
	BKUCDT-60-L-SS	71.00	BKUCDT-60-L	64.00		Left



PRODUCT DATA SHEET

BK RESOURCES



Wall Shelves

T-304 Premium Stainless Steel Wall Shelves

Model: BKWS

PRODUCT DATA SHEET

BK RESOURCES