



Open Base Riser Top Work Table

Stainless Steel Work Tables



Use your smart phone to scan the above QR code to visit our website:
www.bk-resources.com

Certifications:



Features:

- 1 5/8" Legs
- 5" Riser
- Legs Adjust 1" in Height
- Ships KD
- Two (2) Sound Deadened 2" Rectangular Steel Tubing to Reinforce and Maintain Level Working Surface
- 85" & 96" Tables Have 6 Legs

Options:

- Single & Double Overshelves
- Drawer Assemblies
- Casters
- Adjustable Table Mount Pot Rack

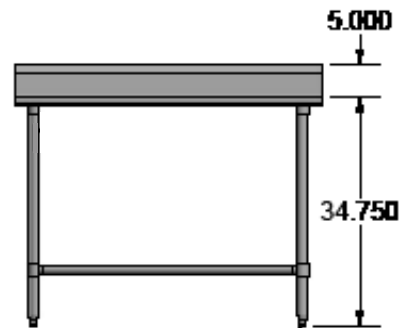
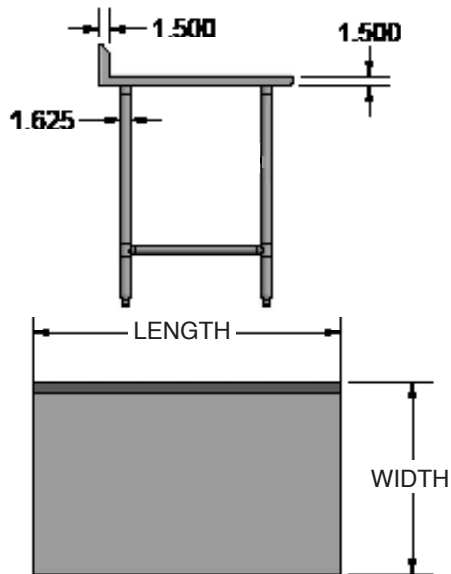


Material:

CVTR50B Series: Stainless Steel w/ Stainless Steel Legs

- T-304 16 ga. Stainless Steel Top
- Stainless Steel Legs & Bracing
- Adjustable Stainless Steel Feet
- Capacity: 1,200 lbs Evenly Distributed

CVTR50B Series			
S/S w/ S/S Legs			
T-304 S/S 30" Width	Product Weight (lbs)	T-304 S/S 24" Width	Product Weight (lbs)
-	-	CVTR50B-2424	-
-	-	CVTR50B-3024	-
CVTR50B-3630	66.00	CVTR50B-3624	-
CVTR50B-4830	88.00	CVTR50B-4824	-
CVTR50B-6030	105.00	CVTR50B-6024	-
CVTR50B-7230	122.00	CVTR50B-7224	-
CVTR50B-8430	-	CVTR50B-8424	-
CVTR50B-9630	162.00	CVTR50B-9624	-



1.250 Adjustable Plastic Feet

PRODUCT DATA SHEET

BK RESOURCES

