



5" Riser Tables

Stainless Steel Riser Tables



Use your smart phone to scan the above QR code to visit our website:
www.bk-resources.com

Certifications:



Features:

- Two (2) Sound Deadened Integrally Welded 5" "C" Channels to Reinforce and Maintain Level Working Surface
- Legs 1 5/8" Diameter
- 5" Riser
- 84" and 96" Have 6 Legs

Options:

- Single & Double Overshelves
- Drawer Assemblies
- Casters
- Upgraded Bullet Feet
- Extra Shelves
- Adjustable Table Mount Pot Rack



Material:

SVTR5 Series: S/S w/ Stainless Steel Legs & Undershef

- T-430 18 ga. Stainless Steel Top
- Stainless Steel Legs & Adjustable Undershef
- Stainless Steel Over Plastic Bullet Feet

VTTR5 Series: S/S w/ Galvanized Legs & Undershef

- T-430 18 ga. Stainless Steel Top
- Galvanized Legs & Adjustable Undershef
- Adjustable High Impact Corrosion Resistant Feet

SVTR5 Series

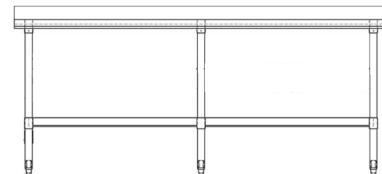
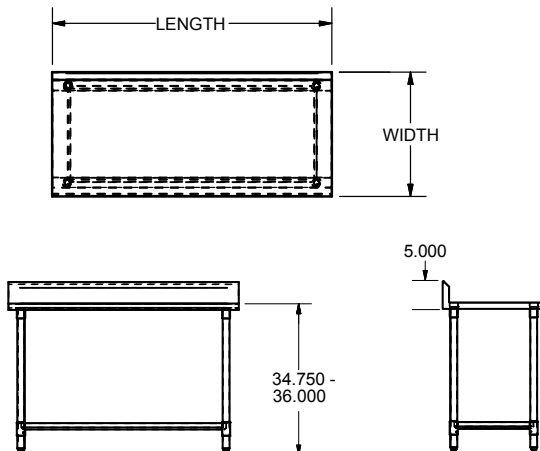
S/S w/ S/S Legs & Undershef

Length	T-430 S/S 24" Width	Product Weight (lbs)	T-430 S/S 30" Width	Product Weight (lbs)
24"	SVTR5-2424	43.00	-	-
30"	SVTR5-3024	60.00	SVTR5-3030	45.00
36"	SVTR5-3624	53.00	SVTR5-3630	49.00
48"	SVTR5-4824	65.00	SVTR5-4830	72.00
60"	SVTR5-6024	75.00	SVTR5-6030	88.00
72"	SVTR5-7224	88.00	SVTR5-7230	99.00
84"	-	-	SVTR5-8430	108.00
96"	SVTR5-9624	122.00	SVTR5-9630	136.00

VTTR5 Series

S/S w/ Galv. Legs & Undershef

T-430 S/S 24" Width	Product Weight (lbs)	T-430 S/S 30" Width	Product Weight (lbs)
VTTR5-2424	41.00	-	-
VTTR5-3024	46.00	VTTR5-3030	52.00
VTTR5-3624	51.00	VTTR5-3630	58.00
VTTR5-4824	61.00	VTTR5-4830	70.00
VTTR5-6024	71.00	VTTR5-6030	82.00
VTTR5-7224	81.00	VTTR5-7230	94.00
VTTR5-8424	91.00	VTTR5-8430	106.00
VTTR5-9624	101.00	VTTR5-9630	118.00



TABLES 7 FT. AND LARGER ARE FURNISHED WITH SIX (6) LEGS

PRODUCT DATA SHEET

BK RESOURCES

