



Hard Maple Bakers Top Work Tables

Stainless Steel Work Tables



Use your smart phone to scan the above QR code to visit our website:
www.bk-resources.com

Certifications:



Features:

- 1 3/4" Thick Hard Maple Bakers Top
- Penetrating Oil Finish
- 34 3/4" Height
- 84" and 96" Tables Have 6 Legs
- 1 Year Warranty

Options:

- Drawer Assemblies
- Casters
- Upgraded Bullet Feet
- Extra Shelves

Material:

MBTGOB Series: Galvanized Legs

- 1 3/4" Thick Hard Maple Bakers Top
- Galvanized Legs
- Adjustable High Impact Corrosion Resistant Feet

MBTSOB Series: Stainless Steel Legs

- 1 3/4" Thick Hard Maple Bakers Top
- Stainless Steel Legs
- Adjustable Stainless Steel Feet

MBTGOB Series

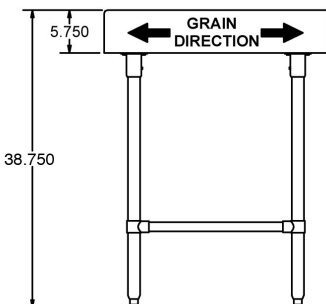
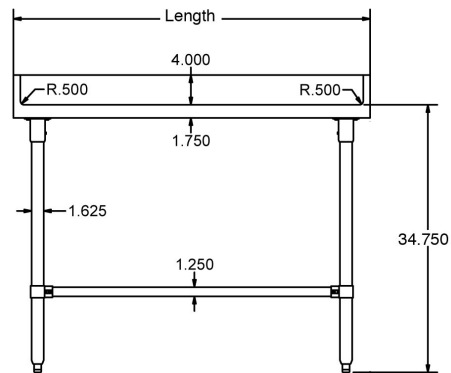
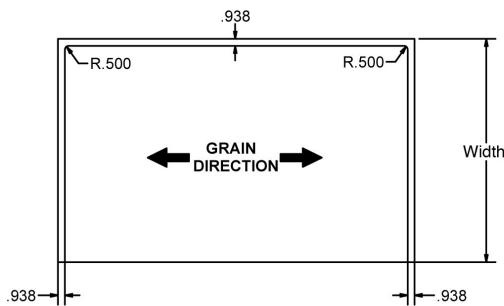
Galvanized Legs

Length	Product		Product	
	30" Width	Weight (lbs)	36" Width	Weight (lbs)
48"	MBTGOB-4830	128.00	MBTGOB-4836	146.00
60"	MBTGOB-6030	149.00	MBTGOB-6036	171.00
72"	MBTGOB-7230	171.00	MBTGOB-7236	197.00
84"	-	-	-	-
96"	MBTGOB-9630	218.00	MBTGOB-9636	250.00

MBTSOB Series

Stainless Steel Legs

Length	Product		Product	
	30" Width	Weight (lbs)	36" Width	Weight (lbs)
48"	MBTSOB-4830	128.00	MBTSOB-4836	146.00
60"	MBTSOB-6030	149.00	MBTSOB-6036	171.00
72"	MBTSOB-7230	171.00	MBTSOB-7236	197.00
84"	-	-	MBTSOB-8436	-
96"	MBTSOB-9630	218.00	MBTSOB-9636	250.00



Replacement Tops Only

Part #	Size: (l x w)	Product Weight (lbs)	Part #	Size: (l x w)	Product Weight (lbs)
MBT-4830	48" x 30"	106.00	MBT-4836	48" x 36"	124.00
MBT-6030	60" x 30"	127.00	MBT-6036	60" x 36"	149.00
MBT-7230	72" x 30"	149.00	MBT-7236	72" x 36"	148.00
MBT-9630	96" x 30"	192.00	MBT-9636	96" x 36"	224.00

