



# Filler Tables

## Stainless Steel Filler Tables



Use your smart phone to scan the above QR code to visit our website:  
[www.bk-resources.com](http://www.bk-resources.com)

### Certifications:



### Features:

- Galvanized 1 5/8" Legs
- 1 1/2" Riser

### Options:

- Casters
- Upgraded Bullet Feet
- Extra Shelves

### Material:

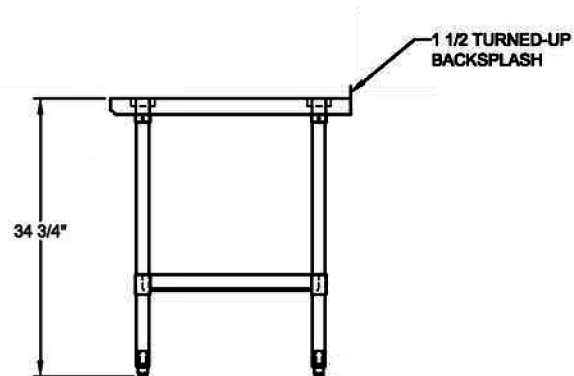
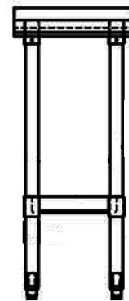
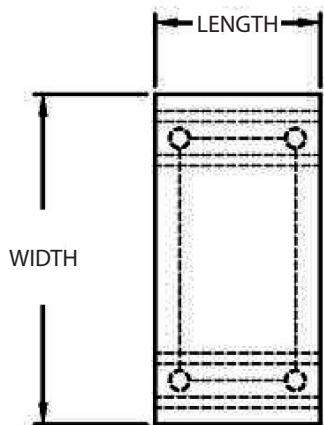
#### S/S w/ Galvanized Legs & Undershef

- T-430 18 ga. Stainless Steel Top
- Galvanized Legs & Adjustable Undershef
- Adjustable High Impact Corrosion Resistant Feet



Length	T-430 S/S 24" Width	Product Weight (lbs)
15"	VFTS-1524	29.00
18"	VFTS-1824	32.00
24"	-	-

T-430 S/S 30" Width	Product Weight (lbs)
VFTS-1530	30.00
VFTS-1830	35.00
VFTS-2430	41.00



PRODUCT DATA SHEET

BK RESOURCES

