



Convenience Store Table

EASY MOD™ Creations



Features:

- 96" x 30" 16 Gauge Work Table
- 10" x 14" Sink w/ Faucet & Side Splash
- 2 Compartment Sink
- Heavy Duty 4" OC Pre rinse with 10" Spout Add-a-Faucet
- Legs Adjust 1" in Height
- 5" Riser

Material:

- T-304 16 Gauge Stainless Steel
- Stainless Steel Legs & Shelf

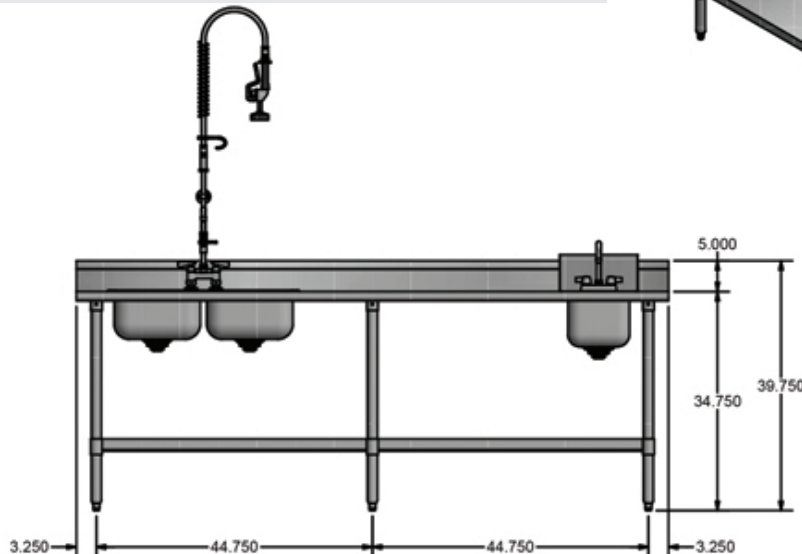
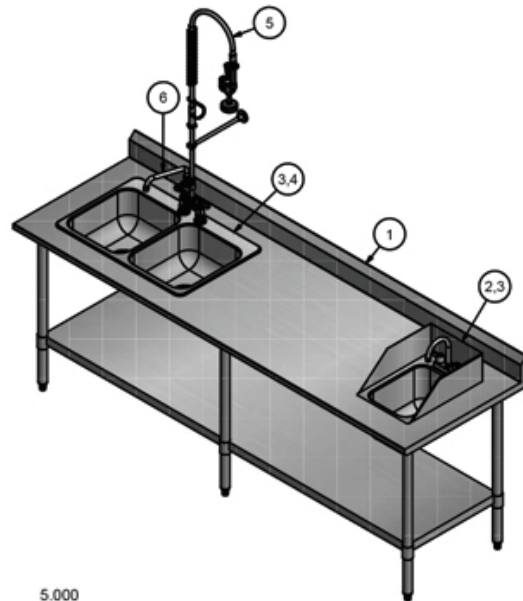
Part List

Item	Item #	Qty	Description
1	CVTR5-9630	1	96" x 30" T-304 16 ga. Stainless Steel Work Table w/ 5" Riser
2	DDI-10141024S-P-G	1	Drop-In Sink w/ Faucet & Side Splash
3	EM-3	2	Cutout & Install of Drop-In Sink
4	DDI2-14131024	1	2 Comp Drop-In Sink
5	BKF-4HDDPR-WB-G	1	4" C/C Heavy Duty Deck Mount Pre-Rinse w/ Wall Bracket
6	BKF-AF-10-G	1	Add-A-Faucet w/ 10" Spout

Easy Mod Creations:

- Use these MOD's as a starting point or idea creator for your own creation
- Add or remove Easy Mods to design a prep table that suits your needs
- See part list for how this was made

Part Number	Unit Size (l x w x h)	Product Weight (lbs)
MOD-PT	30" x 96" x 39.75"	212.00



PRODUCT DATA SHEET

BK RESOURCES

