



APR-93-NY 3 DOOR PIZZA PREP TABLE

INCLUDE 3 YEAR PARTS + LABOR / 5 YEAR COMPRESSOR WARRANTY

Dimensions

Exterior Dimensions (W x D x H)	93.3" x 36.57" x 41.96"
Interior Dimensions Top (W x D x H)	
Interior Dimensions Bottom (W x D x H)	
Cutting Board Dimensions (W x D x H)	
Capacity (cu. ft.)	30.8 cu. ft.
Weight	452 lbs
Packaging Dimensions (W x D x H)	

Cooling

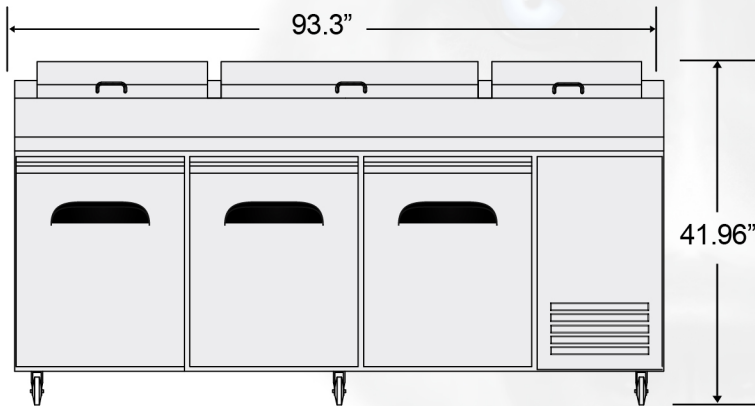
Temperature Range	32° - 41° F
Refrigerant	R290
Maximum Ambient Temperature Rating	
Defrosting	Automatic
Temperature Display	Yes
Temperature Controller	Digital
H/P	3/8

Construction

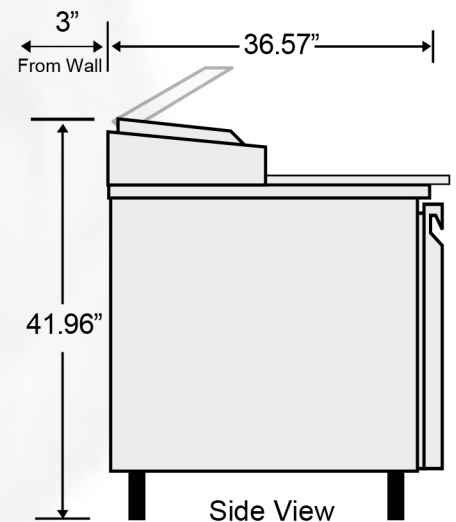
Exterior Material	
Interior Material	
Insulation Material	
Shelf Material	
Shelf Load Capacity	
# Shelves	6

Electrical

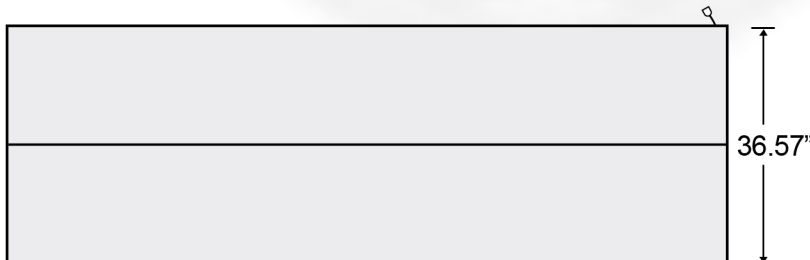
Voltage	115
Amps	
Hz	
Phase	



Front View



Side View



Top View

