

VULCAN

INSTALLATION & OPERATION MANUAL

ELECTRIC RESTAURANT RANGES

ITW Food Equipment Group



MODELS

EV12

EV48S

EV24S

EV48SS

EV36S

EV60SS

EV72SS



For additional information on Vulcan-Hart or to locate an authorized parts and service provider in your area, visit our website at www.vulcanequipment.com

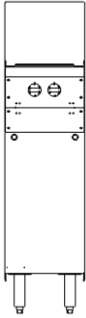
VULCAN-HART
DIVISION OF ITW FOOD EQUIPMENT GROUP, LLC

3600 NORTH POINT BLVD.
BALTIMORE, MD 21222

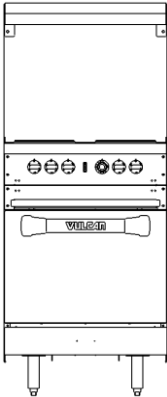
TABLE OF CONTENTS

ELECTRIC RESTAURANT RANGE MODELS.....	3
GENERAL.....	5
FIELD INSTALLABLE ACCESSORIES.....	5
INSTALLATION.....	6
Unpacking	6
Location.....	7
Installation Codes and Standards	7
Assembly.....	7
Electrical Connections.....	9
Leveling	9
Accessory Bullnose Installation.....	9
OPERATION.....	11
Controls	11
Before First Use	12
French Plates.....	12
Griddle	13
Oven	14
Power Outage	14
Cleaning.....	14
MAINTENANCE	15
Service and Parts Information	16
ELECTRICAL CONNECTION INFORMATION.....	16
WIRING DIAGRAMS.....	17 – 21
NOTES.....	22

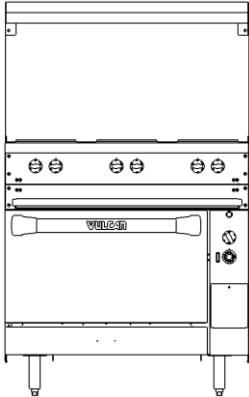
ELECTRIC RESTAURANT RANGE MODELS



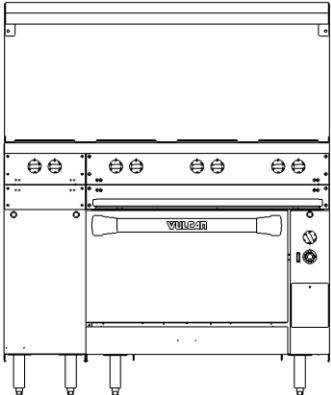
EV12



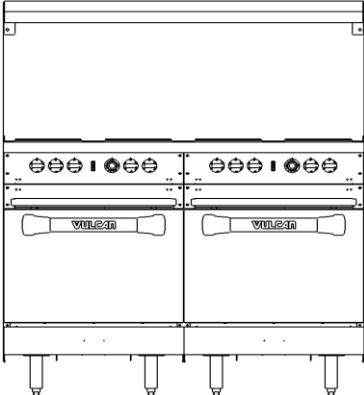
EV24S



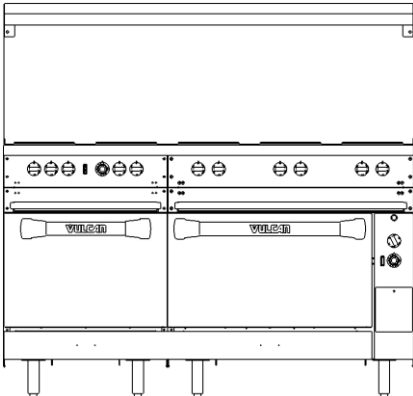
EV36S



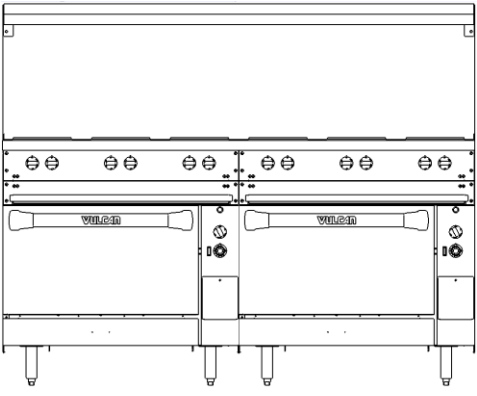
EV48S



EV48SS



EV60SS



EV72SS

INSTALLATION, OPERATION AND CARE OF ELECTRIC RESTAURANT RANGES

KEEP THESE INSTRUCTIONS FOR FUTURE USE

GENERAL

Thoroughly read this entire manual and carefully follow all of the instructions provided. Your Vulcan-Hart range is produced with quality workmanship and material. Proper installation, usage and maintenance of your range will result in many years of satisfactory performance.

OPTIONAL FIELD INSTALLABLE ACCESSORIES

ACCESSORY CODE	DESCRIPTION
RSHELF-XL (24,36,48,60,72)	Reinforced High Shelf - 23" (584 mm) high stainless steel backsplash with broiler mounting brackets for Salamander/Cheesemelter.
STUB10-XL (12,24,36,48,60,72)	10" Stainless steel stub riser. Available for 12", 24", 36", 48", 60", and 72" ranges.
OVNRACK-XL(20,26) RKGUIDE-XL	1 extra oven rack with standard ovens. 1 pair of rack guides (set of 2).
CASTERS-RR4 CASTERS-RR8 CASTERS-ADJRR4	Set of four (4) standard casters. Set of eight (8) standard casters. Set of four (4) adjustable casters. Two (2) sets required for 48", 60", and 72" ranges.
RCTWLBR-(24,36,48,60,72)	Towel Bar Assembly - Replaces standard bullnose. Available for 24", 36", 48", 60", and 72" ranges.
RCCUTBD-(24,36,48,60,72)	Cutting Board Assembly - Replaces standard bullnose. Available for 24", 36", 48", 60", and 72" ranges. (Includes Sani-TUFF® all-rubber cutting board)
RCCONRL-(24,36,48,60,72)	Condiment Rail Assembly - Replaces standard bullnose. Available for 24", 36", 48", 60", and 72" ranges. (Does not include condiment pans)
SHIELD-FRYRH SHIELD-FRYLH	Fryer Splash Shield - Right hand or left hand side. Protects range top against grease splatter from adjacent fryer.
VFLANGED-FEET/4	Set of four (4) flanged feet. Two (2) sets required for 48", 60", and 72" ranges.
CURBMNT-XL4	Curb mounting kit. Two (2) sets required for 48", 60", and 72" ranges.

INSTALLATION

UNPACKING

This range was inspected before leaving the factory. The transportation company assumes full responsibility for safe delivery upon acceptance of the shipment. Immediately after unpacking, check for possible shipping damage. If the range is found to be damaged, save the packaging material and contact the carrier immediately.

Remove all shipping bands, blocking, and packaging. Remove the high shelf, and backsplash assembly.

Before installing, verify that the electrical service agrees with the specifications on the rating plate located behind the kick panel on the left side. If the supply and equipment requirements do not agree, contact your dealer or Vulcan-Hart immediately.

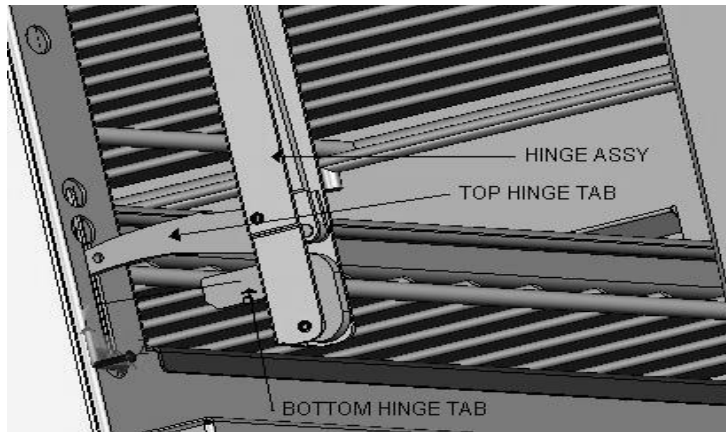
If it is required to remove the door and install it for access through a kitchen door, follow the instructions below.

Door removal

1. Open door.
2. Grasp door firmly at both sides.
3. Lift door upward and pull it out so bottom hinge tab disengages.
* This may be easier to accomplish one side at a time.
4. Close door almost shut and lower slightly to disengage top hinge tab.
5. Pull door outward.

Door installation

1. Grasp door firmly at both sides.
2. Starting with either LH or RH side top hinge tab, angle door and slide top hinge tab into opening between hinge stop roller and hinge stop pin.
3. Lift door up (compress door hinge as if opening the door) and position bottom tab downward about 30 degrees down from horizontal.
4. Push door inward, inserting downward angled bottom hinge tab into opening just above hinge stop pin.
* Bottom hinge tab must enter chassis at downward angle to engage.
5. Bottom hinge tab should engage on hinge stop pin.
6. Open door and pull door outward until bottom hinge tab locks on hinge stop pin.
7. Repeat above steps for opposite side.
8. Open and close door to make sure door hinges are locked in place and door operates smoothly.



LOCATION

The installation location must allow adequate clearance for servicing and proper operation. A minimum front clearance of 40" (1016 mm) is required. Side and rear clearance varies based on range top and adjacent materials of construction:

Clearance Requirements

	Combustible	Non-Combustible
Side – French Plate, Griddle	1"	0"
Side – Hot Top	6"	0"
Rear	0"	0"

Combustible Material includes materials made of or surfaced with wood, compressed paper, plant fibers, or other materials that are capable of being ignited and burned. Such material shall be considered combustible even though flame-proofed, fire-retardant treated, or plastered. [definition courtesy ANSI]

INSTALLATION CODES AND STANDARDS

Your Vulcan range must be installed in accordance with state and local codes, or in the absence of local codes, with National Electrical Code ANSI/NFPA-70 (latest edition) available from The National Fire Protection Association, Batterymarch Park, Quincy, MA 02269. In Canada refer to Canadian electrical code C22.1 Part 1 (latest edition).

ASSEMBLY

Leg/Caster Assembly

The range is shipped fully assembled, except for the legs. The range is provided with 6"(152 mm) adjustable stainless steel legs (hardware included), packaged in a box located inside of the oven. A set of 6"(152 mm) casters or 6" adjustable casters are available as an optional field installable accessories.

RANGE SERIES	LEGS TO INSTALL	CASTERS TO INSTALL
EV12	4	4
EV24	4	4
EV36	4	4
EV48	8	8
EV60	8	8
EV72	8	8

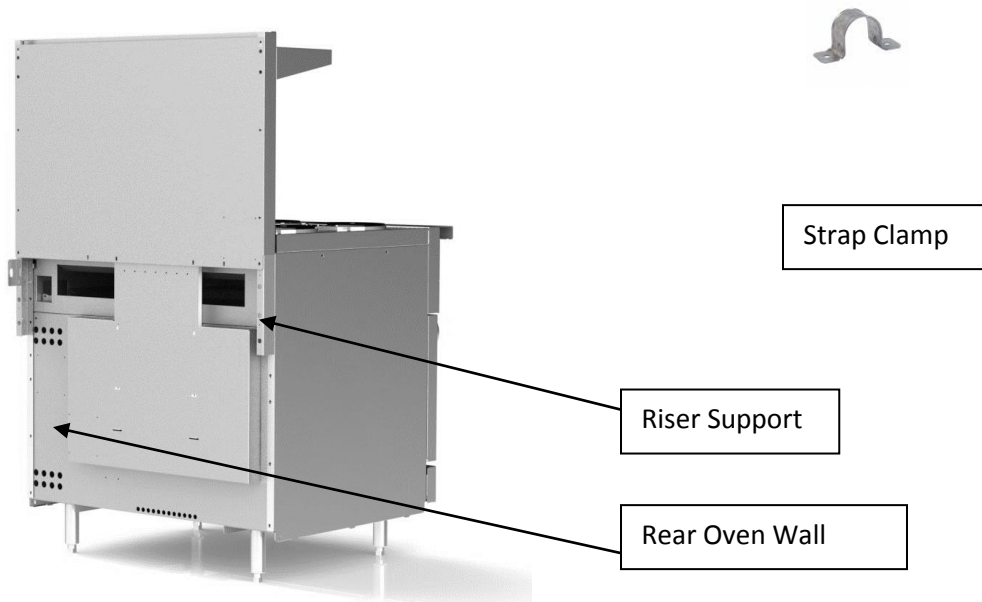
Installation of Legs/Casters:

1. Carefully tip or lift range to access bottom for leg installation.
2. Align holes in leg/caster mounting plate with pre-drilled holes in bottom of range located in each of the four corners.
3. Attach mounting plate to bottom of range using four $\frac{1}{4}$ - 20 x $\frac{5}{8}$ self tapping screws (provided). If casters are being installed, the locking casters should be mounted on the front.
4. After all legs/casters have been installed, carefully return the range to its upright position.

(For additional leg information, see Leveling section of this manual).

A permanently connected appliance mounted on casters and intended to be secured to the building structure should adhere to the following:

- a. Adequate means must be provided to limit the movement of the appliance without depending on or transmitting stress to the electrical conduit;
- b. The location(s) where restraining means are to be attached to the appliance needs to be on the outside rear parts of the oven chassis frame of the Range. Attachment points are available on the riser supports, including thru holes and tapping holes for #10-24 screws. Strap clamps are also optional and included with caster accessory kits for attachment to the rear oven wall (screws not provided).
- c. The appliance should be installed using a flexible conduit.



If the range is installed on casters and is moved for any reason, it is recommended that the range be re-leveled front to back and side to side for even baking.

ELECTRICAL CONNECTIONS

⚠ WARNING ELECTRICAL AND GROUNDING CONNECTIONS MUST COMPLY WITH THE APPLICABLE PORTIONS OF THE NATIONAL ELECTRICAL CODE AND/OR OTHER LOCAL ELECTRICAL CODES.

⚠ WARNING DISCONNECT ELECTRICAL POWER SUPPLY AND PLACE A TAG AT THE DISCONNECT SWITCH TO INDICATE THAT YOU ARE WORKING ON THE CIRCUIT.

Position the range in its final location. Bring conduit containing the proper supply wire to the range through the knockout located on the bottom of the range. Select the size and type of field wire in accordance with the National Electrical Code suitable for carrying the equipment's rated amps and voltage. Use field wires suitable for 75°C on units carrying more than 80 amps.

NOTICE If you have purchased an EV48, EV60 OR EV72 model, it will have two (2) electrical connections. The left and the right portions of the range are supplied with individual branch circuits, the connection points are found under each oven or in the right hand side control panel.

NOTICE THE 48, 60 AND 72 INCH UNITS HAVE MORE THAN ONE SOURCE OF ELECTRICAL SUPPLY. EACH SOURCE MUST BE CONNECTED IN ACCORDANCE WITH THE NATIONAL ELECTRIC CODE (LATEST EDITION) OR OTHER LOCAL CODES.

Connect supply leads to field terminal block and green grounding lead to the labeled ground lug. The supply wire should be anchored through the access hole with a bulkhead fitting.

Ranges ship wired for 3-phase service but may be changed to 1-phase, in the field. Refer to the wiring diagram and schematic decal attached to the range for necessary alterations.

LEVELING

Place a carpenter's level on top of the range and level the range front-to-back and side-to-side by turning the adjustable feet.

ACCESSORY BULLNOSE INSTALLATION

- 1.) Remove screws holding the switch cover in place and allow it to pivot down out of the way.
- 2.) Remove screws, from the front, holding the Bullnose in place.
- 3.) Slide standard Bullnose up to remove it from the range.
- 4.) Slide accessory back into the gap the standard Bullnose was removed from and align with the side of range for fit.
- 5.) Start screw at one end of the Range, do not tighten completely.
- 6.) Going across the width of the Range install the next screw, as shown in Figure 2, set the alignment and tighten screw completely.
- 7.) Install the remaining screws and tighten all screws completely.

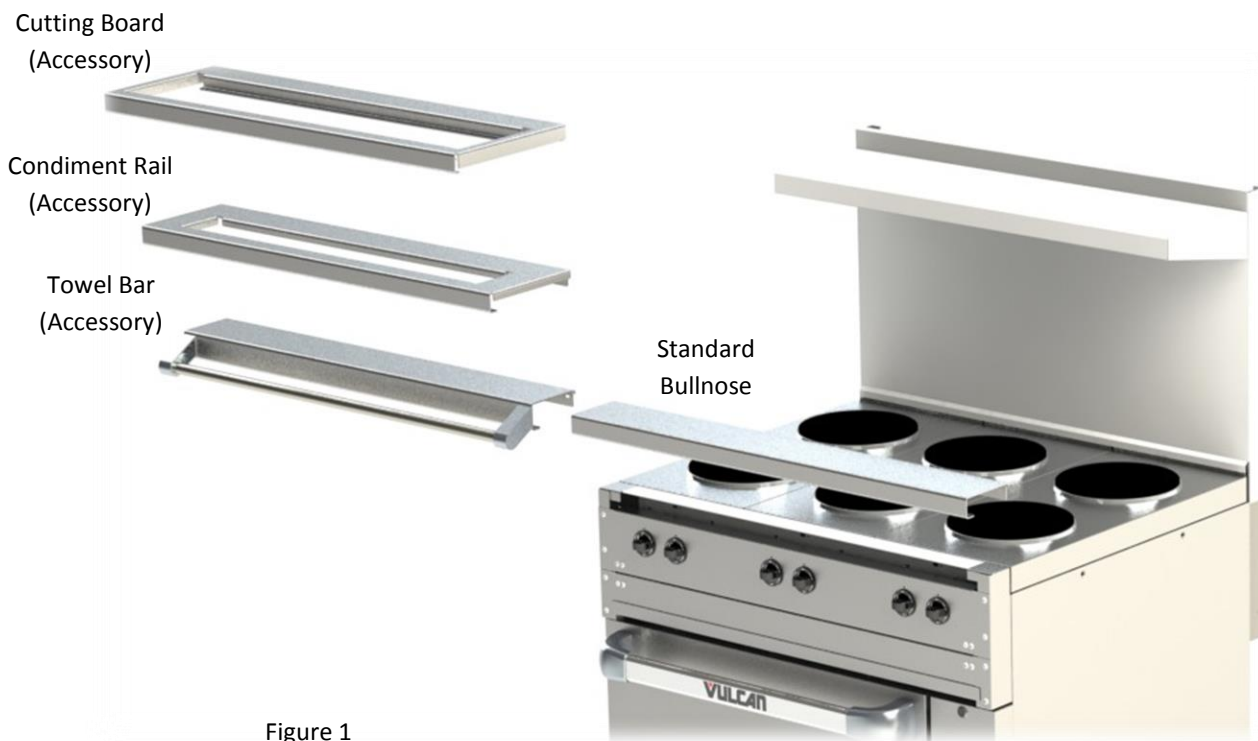


Figure 1

Note: Align the end of the Bullnose with the Range for fit.

Install Screws, #10-24 x 1/2 Phillips Head, in slots on Bullnose as noted.

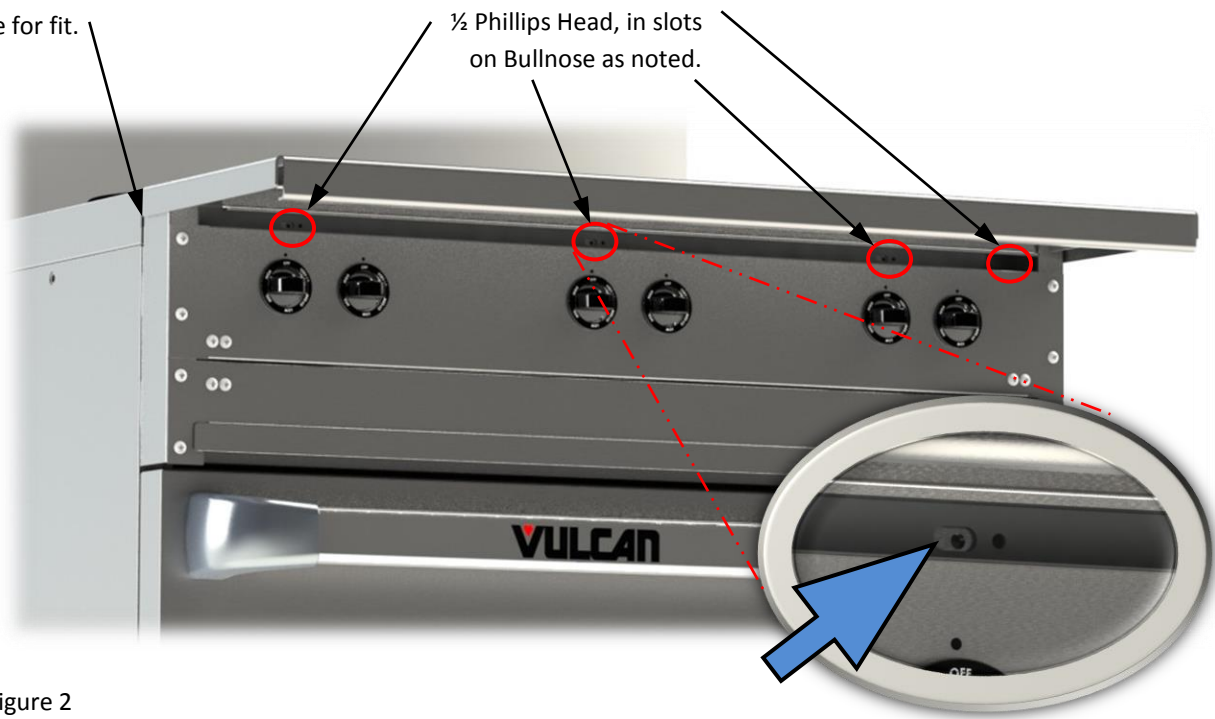
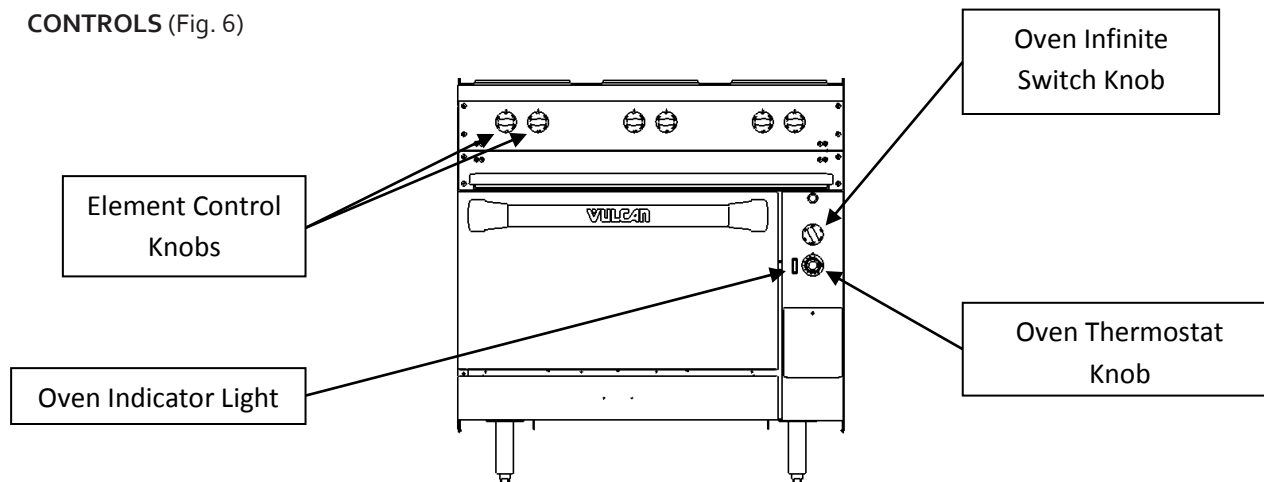


Figure 2

OPERATION

⚠ WARNING THE RANGE AND ITS PARTS ARE HOT. BE VERY CAREFUL WHEN OPERATING, CLEANING OR SERVICING THE RANGE.

CONTROLS (Fig. 6)



Model EV36 Shown

Fig. 6

- Element Controls — Infinite load switches that control and maintain heat to the surface plates. The controls are arranged in pairs; the left knob controls the front plate and the right knob controls the rear plate. NOTE: On 480 volt units, French plates are controlled with a 3-heat switch (HIGH = 2000 watts, MED = 1000 watts, LOW = 500 watts).
- Hot Top Switch — (Not shown.) A thermostat (1-10) controls and maintains heat to the top section. Select desired heat level, (1 is minimum, 10 is maximum).
- Griddle Thermostat — (Not shown.) Regulates the amount of heat needed to maintain the set temperature. Each 12" (305 mm) section of the griddle has its own thermostat with a temperature range of 200°F (93°C) to 550°F (288°C).
- Griddle Indicator Light — (Not shown.) Will be lit until the selected temperature is reached or when it is being maintained.
- Oven Thermostat — Regulates the amount of heat needed to control and maintain oven temperature around the desired set temperature. The temperature range is from 200°F (93°C) to 550°F (288°C). Turn dial counterclockwise to increase temperature and clockwise to decrease temperature.
- Infinite Switch for Oven — Provides control for top browning element. Adjust as needed for the amount of top heat required in order to brown product as desired. NOTE: Infinite switch not Top Heating Element available on 480 volt units. This position on the panel will be filled with a panel plug.
- Oven Indicator Light — Will be lit until the selected temperature is reached or when it is being maintained.

BEFORE FIRST USE

Cleaning

Clean the range and all accessories with water and a mild detergent. Rinse thoroughly and wipe dry with a soft clean cloth.

Griddle Seasoning

Before leaving the factory the griddle is coated with vegetable oil as a rust inhibitor. Remove this film when the griddle plate is being cleaned prior to its first cooking use. Heat the griddle to 200-300°F to loosen and melt the coating, then clean the surface with a non-corrosive, grease dissolving commercial cleaner, following the manufacturer's directions. Rinse thoroughly and wipe dry with a soft clean cloth.

A new griddle surface must be seasoned. The metal surface of the griddle is porous. Food tends to get trapped in these pores and stick; therefore, it is important to "season" or "fill up" these pores with cooking oil before cooking. Seasoning gives the surface a slick, hard finish from which the food will release easily.

To season, heat griddle top section at a low setting. Pour one ounce of cooking oil per square foot of surface over the griddle top section. With an insulated cloth, spread the oil over the entire griddle surface to create a thin film. Wipe off any excess oil with an insulated cloth.

Repeat this procedure 2 to 3 times until the griddle has a slick surface.

FRENCH PLATES

French plates are most efficient when used with utensils having a maximum inside diameter of 10" (254) or a minimum inside diameter of 9" (229). Stock pots of 9, 12 and 16 qt. capacities are recommended for bulk cooking. (Fig. 7)

NOTICE It is important that the utensil used has a flat bottom that sits uniformly on the surface of the plate. Utensils with curved bottoms (either through design or warped from use) will have poor contact and therefore poor heat transfer. This will result in poor cooking performance.

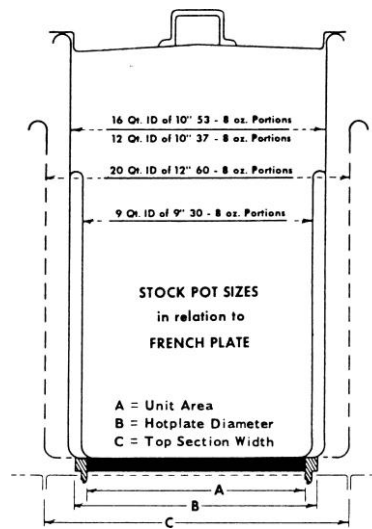


Fig. 7

The French (solid surface) Plates are rated for 2000 Watts and are controlled by an infinite heat switch. A French (solid surface) Plate will reach cooking temperature from room temperature in 5 to 7 minutes at a HI switch setting.

Each control knob is marked **HI**, **MED**, **LO**, **MED-LO**, and **VERY-LO**. The **HI** setting is full heat. Use the **HI** setting to start cooking quickly and to bring water to a boil.

Some DO'S and DO NOT'S of Surface Cooking

DO use utensils to fit the tops (9" to 10" [229 to 254 mm] inside diameter).

DO use flat-bottomed, straight-sided pots and pans.

DO use covers for stock pot work. Water will boil much sooner and much less heat is required for cooking in a covered container. Less water may be used, thereby retaining vitamins and minerals in the food.

DO turn off plates a few minutes before cooking is completed to use the heat stored in the plate.

DO NOT allow surface plates to idle unloaded at HI switch settings. The surface plates will reach very high temperatures, and this can cause the casting to warp or dome. Plates idled at a setting of MED-LO and turned to HI when loaded, will perform bulk cooking jobs just as rapidly, without damage to the plates. Damage caused by plates left running unloaded on HI will void the warranty.

HOT TOPS

Hot Tops can make up for the irregularity of stock pots that have an inside diameter of over 10". Pots can overlap from one Hot Top section to another without any loss of heating area.

NOTICE It is important that the utensil used has a flat bottom that sits uniformly on the surface of the hot top plate. Utensils with curved bottoms (either through design or warped from use) will have poor contact and therefore poor heat transfer. This will result in poor cooking performance.

The Hot Top section is rated for 2500 Watts and are controlled by snap action thermostatic controller, with knob indicator marks from 0 to 10 (with 10 being the highest temperature setting). A Hot Top section will reach cooking temperature from room temperature in 15 to 20 minutes at a **10** thermostat setting.

Some DO'S of Hot Top Cooking

DO use flat-bottomed, straight-sided pots and pans.

DO use covers for stock pot work. Water will boil much sooner and much less heat is required for cooking in a covered container. Less water may be used, thereby retaining vitamins and minerals in the food.

GRIDDLE

See **BEFORE FIRST USE** in this manual for griddle seasoning procedure.

NOTICE

This griddle plate is steel, but the surface is relatively soft and can be scored or dented by the careless use of a spatula or scraper. Be careful not to dent, scratch, or gouge the plate surface. Do not try to knock off loose food that may be on the spatula by tapping the corner edge of the spatula on the griddle surface.

Griddles are supplied with one 3400 watt heating element per 12" of griddle surface. Each heating element is individually controlled by a thermostat with a range of 200°F to 550°F (93°C to 288°C).

OVEN**NOTICE**

Never cover the oven deck or rack with aluminum foil. The oven will not operate properly and the range may be damaged.

Model EV24S, EV36S and EV48S ranges have a single oven; Model EV48SS, EV60SS AND EV72SS ranges have two separate ovens. Each oven is equipped with top and bottom heating elements. The top element has an infinite heat switch for browning. **THIS IS NOT A BROILER ELEMENT.** (infinite switch is not available on the 480 volt range for the top element)

The oven has an input of 5000 W., 3750 W. for the bottom element and 1250 W. for the top element.

Preheating

Thoroughly preheat the oven by setting the switch and the thermostat to the desired temperature. When the red light goes out, the oven is ready for use. For full loads and delicate baked products, it may be desirable to allow the oven to cycle (red light on and off) a second time before loading.

Baking

Most products can be baked with the top element infinite switch set between **VERY LO** and **LO**. Hard-to-brown products, such as corn bread or biscuits, may require a top switch setting of **MED** to **HI**. Start off by using a **LO** setting on top element and then increase only as needed.

Roasting

Place meat on a rack in an open pan with sides sufficiently high to retain the drippings. Roasting may be done on the oven rack or the deck. For best results, roast at the low temperatures of 200°F (93°C) to 325°F (163°C) recommended by the Department of Agriculture and the American Meat Institute. Most meats may be roasted with the infinite heat switch set at **HI**. If heavy browning on poultry is not desired, the switch should be set between **MED-LO** and **VERY-LO**.

The top oven element is not suitable for broiling, and will not operate independent of the oven thermostat (bottom element).

POWER OUTAGE

If a power outage occurs, the range will automatically shut down. When power is restored, the range will automatically resume normal functions. If the range is left unattended during the power outage, turn all control knobs/switches **OFF**. When power is restored, turn desired control knobs/switches back **ON**. The unit will be

preheated in 5 minutes and normal cooking operations can be resumed.

CLEANING

▲ WARNING DISCONNECT ELECTRICAL POWER SUPPLY BEFORE CLEANING.

DO NOT use Dawn ® dish detergent to clean the exterior or interior components of the range.

DO NOT use scouring powder. It is extremely difficult to remove completely. It can build up accumulations that will damage the range.

DO NOT use cleaning products containing TSC.

Clean all parts of the range and the oven with a soft cloth and warm water and detergent. Rinse thoroughly and wipe dry with a soft clean cloth.

Griddle

Scrape the griddle with an approved scraper after each use. The griddle grease can should be emptied on a routine basis. A weep hole is provided to indicate that the grease can is near full capacity. Failure to empty the grease can will cause it to overflow and may result in damage to the range. Weekly, or more often if necessary, thoroughly clean the griddle surface. You may use a griddle screen or stone with a little grease, rubbing with the grain of the metal while it is still warm, or use water and detergent with a steel brush. The detergent must be thoroughly removed. After each thorough cleaning, the griddle must be re-seasoned (see **BEFORE FIRST USE** in this manual).

Avoid build-up of caked grease under the drip edge and around the outside edges of the griddle.

If the griddle is to be shut down for an extended period, put a heavy coat of grease over the griddle plate.

Oven

Clean oven and oven door daily, especially if fruit pies or tomato sauces were baked, meats roasted, and if there have been spillovers. Failure to clean spills may result in corrosion of metal components.

If the oven liners and decks are heavily soiled, ammonia or oven cleaner may be used to remove spillage of burned on sugar and grease, but must be thoroughly rinsed with water to prevent corrosion.

After processing some foods at low temperatures, odors may linger in the oven. These odors may be cleared by setting the thermostat at 500°F (260°C) and allowing the oven to operate unloaded for 30 to 45 minutes.

MAINTENANCE

⚠ WARNING THE RANGE AND ITS PARTS ARE HOT. BE VERY CAREFUL WHEN OPERATING, CLEANING OR SERVICING THE RANGE.

⚠ WARNING Disconnect power supply and follow lockout / tagout procedures before cleaning and servicing the appliance.

SERVICE AND PARTS INFORMATION

To obtain service and parts information concerning this range, contact the Vulcan-Hart Service Department in your area or Service Department at the address or phone number shown on the front cover of this manual.

ELECTRICAL CONNECTION INFORMATION

Model Configuration	Kilowatts				208 Volt Amps				240 Volt Amps				480 Volt Amps			
	X-Y	Y-Z	Z-X	Single Phase	X	Y	Z	Single Phase	X	Y	Z	Single Phase	X	Y	Z	Single Phase
12 Inch Range																
EV12-2FP	2.0	2.0	0.0	4.0	9.6	17.0	9.6	19.0	8.3	14.0	8.3	17.0	4.2	7.2	4.2	8.3
EV12-1HT				5.0				24.0				21.0				10.4
24 Inch Range w/Standard Oven																
EV24S-4FP	5.0	4.0	4.0	13.0	37.5	37.5	33.3	62.5	32.5	32.5	28.9	54.2	16.3	16.3	14.4	27.1
EV24S-2HT	5.0	5.0	5.0	15.0	41.6	41.6	41.6	72.1	36.1	36.1	36.1	62.5	18.1	18.1	18.1	31.2
36 Inch Range w/Standard Oven																
EV36S-6FP	4.0	8.0	5.0	17.0	37.5	50.0	54.1	81.7	32.5	43.3	46.9	70.8	16.3	21.7	23.5	35.4
EV36S-3HT	5.0	10.0	5.0	20.0	41.6	62.5	62.5	96.2	36.1	54.1	54.1	83.3	18.1	27.1	27.1	41.7
EV36S-2HT2FP	4.0	10.0	5.0	19.0	37.5	58.3	62.5	91.4	32.5	50.5	54.1	79.2	16.3	25.3	27.1	39.6
EV36S-1HT4FP	4.0	9.0	5.0	18.0	37.5	54.1	58.3	86.5	32.5	46.9	50.5	75.0	16.3	23.5	25.3	37.5
EV36S-2FP24G	3.4	7.4	5.0	15.8	35.0	45.0	51.6	76.0	30.3	39.0	44.7	65.8	15.2	19.5	22.4	32.9
EV36S-1HT24G	3.4	8.4	5.0	16.8	35.0	49.1	55.8	80.8	30.3	42.6	48.4	70.0	15.2	21.3	24.2	35.0
EV36S-4FP12G	3.4	8.0	5.0	16.4	35.0	47.5	54.1	78.8	30.3	41.1	46.9	68.3	15.2	20.6	23.3	34.2
EV36S-2HT12G	3.4	10.0	5.0	18.4	35.0	55.8	62.5	88.5	30.3	48.4	54.1	76.7	15.2	24.2	27.1	38.4
EV36S-36G	3.4	6.8	3.4	15.2	35.0	42.5	49.1	73.1	30.3	36.8	42.6	63.3	15.2	18.4	21.3	31.7

Key - FP = French Plates (2 per 12inch section) HT = Hot Top (1 per 12 inch section) G = Griddle (can actually have a 12, 24 or 36 inch Griddle)

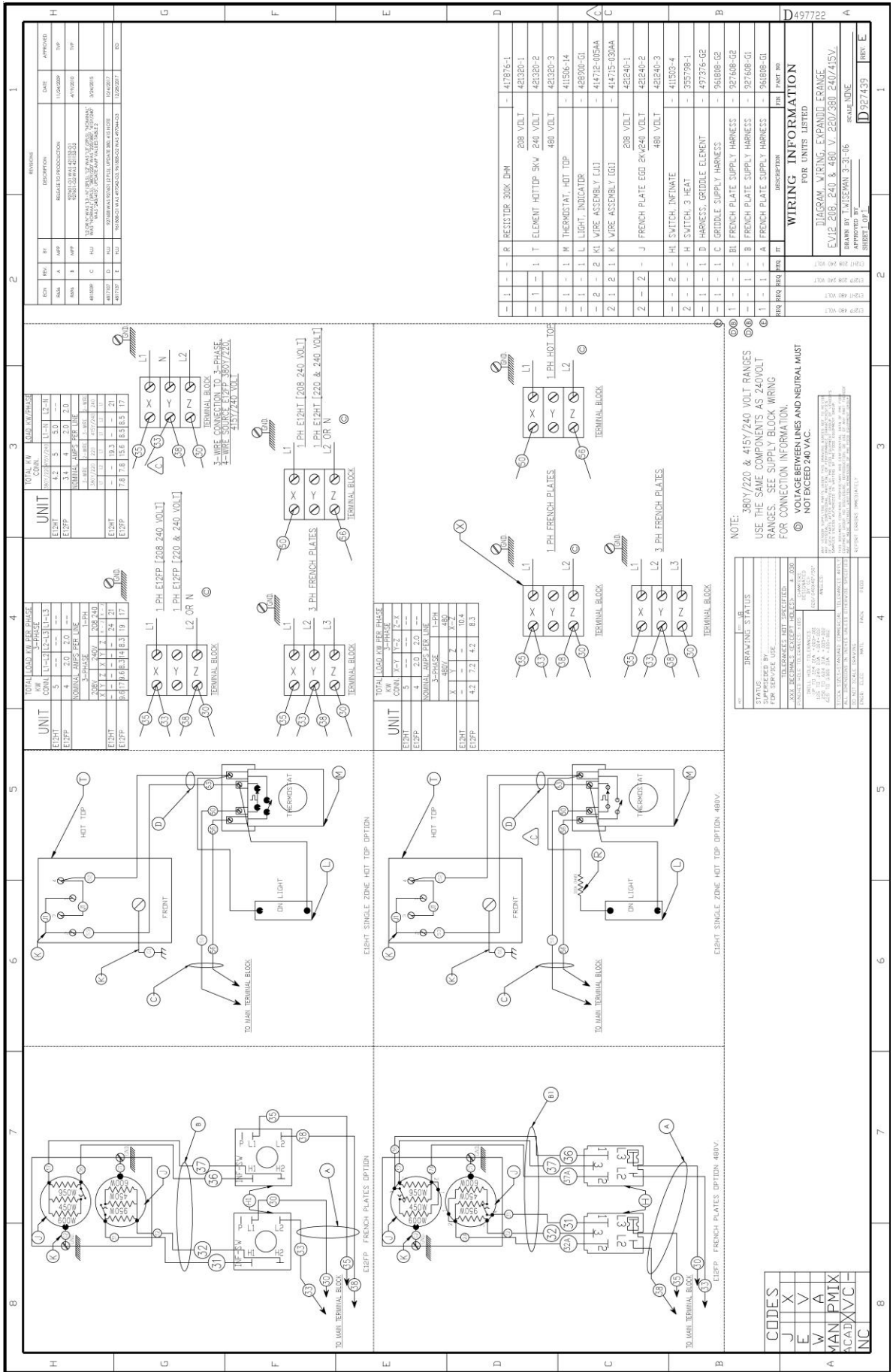
All Griddles less than 36 inches are always positioned on the right hand side of the range.

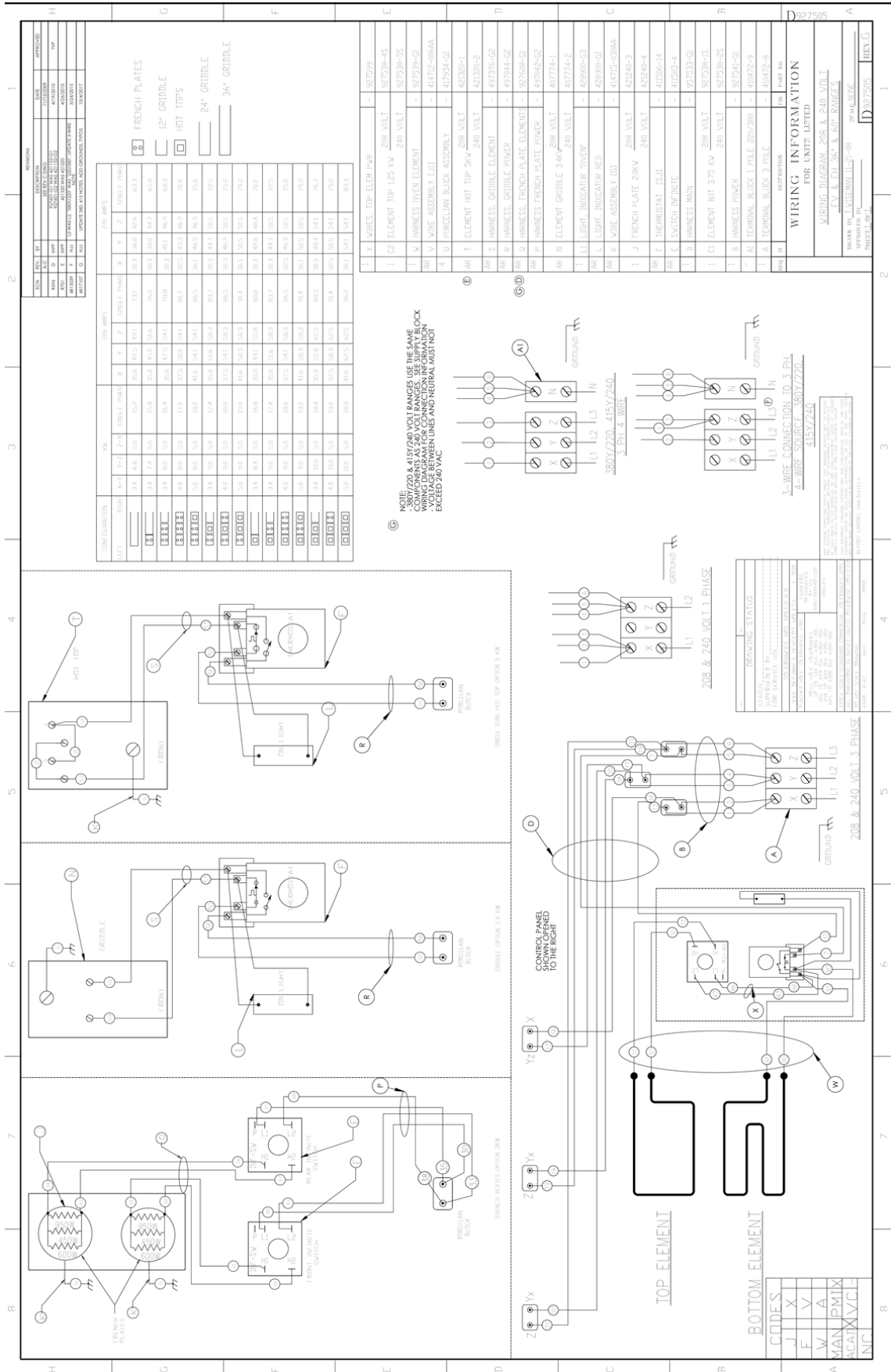
⚠ WARNING All ranges over 36 inches in width have two electrical connections. Ensure both power supplies have been disconnected before beginning service on the appliance.

DOUBLE RANGES

Ranges ordered over 36 inches wide are constructed as follows:

- EV48S - Consists of an EV36S and an EV12
- EV48SS - Consists of two EV24S
- EV60SS - Consists of an EV24S and an EV36S
- EV72SS - Consists of two EV36S

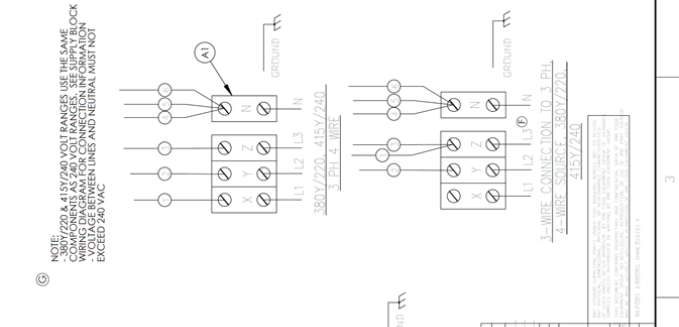




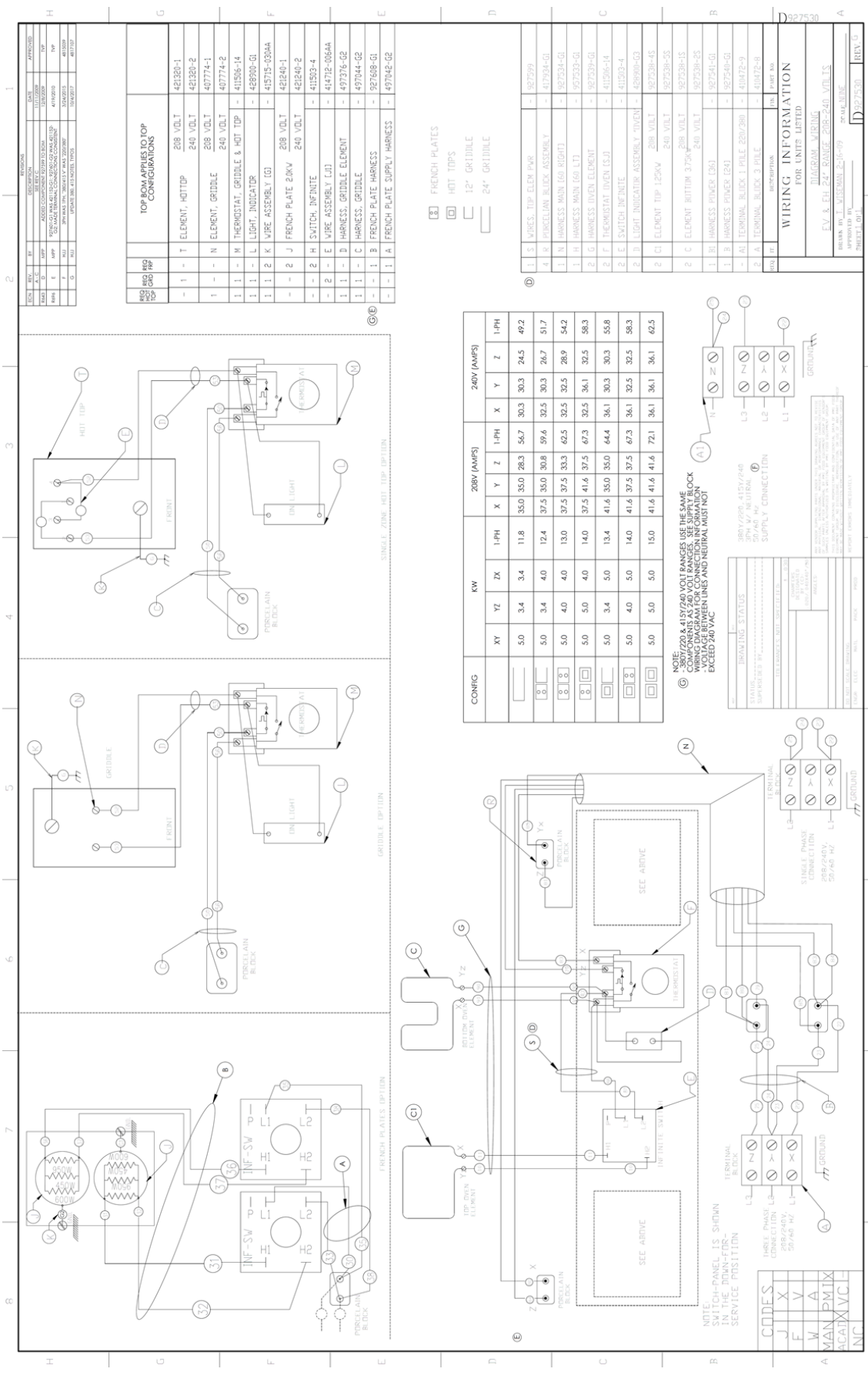
REV	DATE	BY	DESCRIPTION
1	11/22/2004
2	11/22/2004
3	11/22/2004
4	11/22/2004
5	11/22/2004
6	11/22/2004
7	11/22/2004
8	11/22/2004
9	11/22/2004
10	11/22/2004

ELEM	KVA	W	208V AC			240V AC					
			W	V	Z	W	V	Z			
1	3.6	600	50	102	205	425	851	731	803	569	653
2	3.6	600	50	102	205	425	851	731	803	569	653
3	3.6	600	50	102	205	425	851	731	803	569	653
4	3.6	600	50	102	205	425	851	731	803	569	653
5	3.6	600	50	102	205	425	851	731	803	569	653
6	3.6	600	50	102	205	425	851	731	803	569	653
7	3.6	600	50	102	205	425	851	731	803	569	653
8	3.6	600	50	102	205	425	851	731	803	569	653
9	3.6	600	50	102	205	425	851	731	803	569	653
10	3.6	600	50	102	205	425	851	731	803	569	653

REV	DATE	BY	DESCRIPTION
1	11/22/2004
2	11/22/2004
3	11/22/2004
4	11/22/2004
5	11/22/2004
6	11/22/2004
7	11/22/2004
8	11/22/2004
9	11/22/2004
10	11/22/2004



REV	DATE	BY	DESCRIPTION
1	11/22/2004
2	11/22/2004
3	11/22/2004
4	11/22/2004
5	11/22/2004
6	11/22/2004
7	11/22/2004
8	11/22/2004
9	11/22/2004
10	11/22/2004



TOP ROW APPLIES TO TOP CONFIGURATIONS

REV	NO.	DATE	DESCRIPTION	BY	APP'D
1	1	4/21/80	208 VOLT	42120-1	
1	2	4/21/80	240 VOLT	42120-2	
1	3	4/21/80	208 VOLT	40774-1	
1	4	4/21/80	240 VOLT	40774-2	
1	5	4/21/80	208 VOLT	41506-1A	
1	6	4/21/80	240 VOLT	41506-1B	
1	7	4/21/80	208 VOLT	415715-000AA	
1	8	4/21/80	240 VOLT	415715-000AB	
1	9	4/21/80	208 VOLT	415715-000AC	
1	10	4/21/80	240 VOLT	415715-000AD	
1	11	4/21/80	208 VOLT	415715-000AE	
1	12	4/21/80	240 VOLT	415715-000AF	
1	13	4/21/80	208 VOLT	415715-000AG	
1	14	4/21/80	240 VOLT	415715-000AH	

CONFIG	KW			208V (AMPS)			240V (AMPS)				
	XY	YZ	ZX	1-PH	X	Y	Z	1-PH	X	Y	Z
1	5.0	3.4	3.4	11.8	35.0	28.3	56.7	30.3	30.3	24.5	49.2
2	5.0	3.4	4.0	12.4	37.5	30.8	59.6	32.5	30.3	26.7	51.7
3	5.0	4.0	4.0	13.0	37.5	33.3	62.5	32.5	32.5	28.9	54.2
4	5.0	5.0	4.0	14.0	37.5	41.6	72.5	32.5	36.1	32.5	59.3
5	5.0	3.4	5.0	13.4	41.6	35.0	64.4	36.1	30.3	30.3	55.8
6	5.0	4.0	5.0	14.0	41.6	37.5	67.3	36.1	32.5	32.5	59.3
7	5.0	5.0	5.0	15.0	41.6	41.6	72.1	36.1	36.1	36.1	62.5

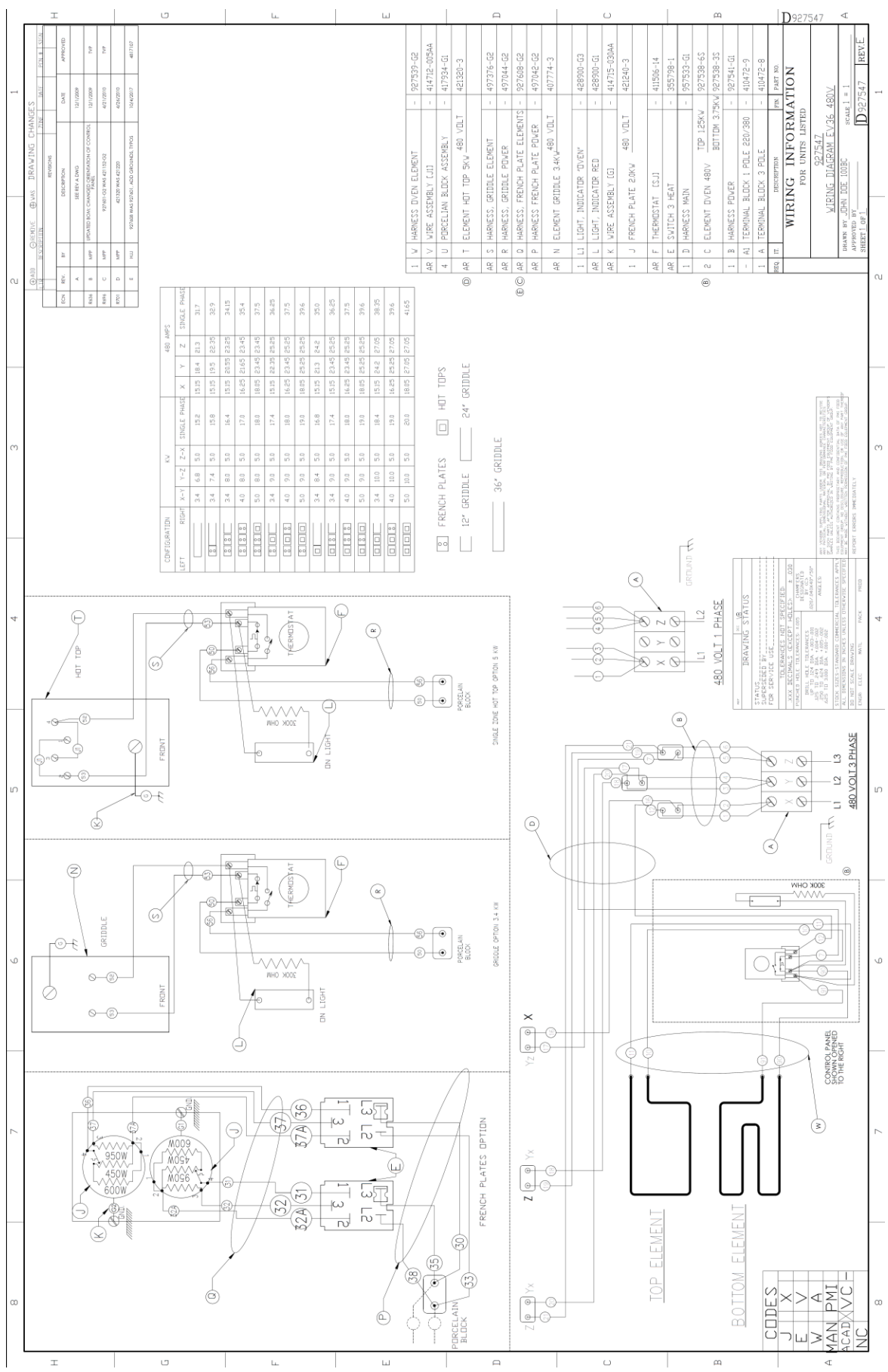
NOTE:
 1. 208V/208 & 415V/240 VOLT RANGES USE THE SAME COMPONENTS AS 240 VOLT RANGES. SEE SUPPLY BLOCK FOR WIRING CONNECTIONS.
 2. VOLTAGE BETWEEN LINES AND NEUTRAL MUST NOT EXCEED 240VAC.

WIRING INFORMATION FOR LINE LISTED

DIAGRAM WIRING
 EX. & EL. 24. RANGE 208-240 VOLT
 APPROVED BY: [Signature]
 DATE: 4/21/80

CODES

J	X	A
F	V	A
W	A	
MAN	PMIX	
ACAT	AVC	
NIC		



REV	BY	DATE	APPROVED
A	HEB RYA 4 DWG	10/10/09	
B	IMPROVED DRAWING CHANGE (REVISIONS OF CONNECT)		
C	IMP	10/10/09	
D	IMP	10/10/09	
E	IMP	10/10/09	

CONFIGURATION	KV			480 AMPS		
	X-Y	Y-Z	Z-X	X	Y	Z
LEFT	3.4	6.8	5.0	13.2	13.5	18.4
RIGHT	3.4	7.4	5.0	15.8	15.5	19.5
FRONT	3.4	8.0	5.0	16.4	15.5	20.5
BACK	4.0	8.0	5.0	17.8	16.25	21.45
TOP	5.0	8.0	5.0	18.8	18.45	23.45
BOTTOM	3.4	9.0	5.0	17.4	15.5	22.35
FRONT	4.0	9.0	5.0	18.8	16.25	23.45
BACK	5.0	9.0	5.0	19.8	18.45	25.45
TOP	3.4	8.4	5.0	16.8	15.5	21.4
BOTTOM	4.0	8.4	5.0	17.4	15.5	22.45
FRONT	5.0	9.0	5.0	19.8	18.45	25.45
BACK	3.4	10.0	5.0	18.4	15.5	24.2
TOP	4.0	10.0	5.0	19.8	16.25	25.45
BOTTOM	5.0	10.0	5.0	20.0	18.45	27.05
FRONT	5.0	10.0	5.0	20.0	18.45	27.05

- FRONT PLATES
- HOT TOPS
- 24" GRID
- 12" GRID
- 36" GRID

REV	DESCRIPTION	DATE	BY	APP	REV
1	W HARNESS DYEN ELEMENT				927939-G2
AR V	WIRE ASSEMBLY (U)				414712-0058A
4	U PORCELAIN BLOCK ASSEMBLY				417934-G1
AR T	ELEMENT HOT TOP 5KV 480 VOLT				481280-3
AR S	HARNESS GRIDBLE ELEMENT				497376-G2
AR R	HARNESS GRIDBLE POWER				497841-G2
AR D	HARNESS FRENCH PLATE ELEMENTS				927609-G2
AR P	HARNESS FRENCH PLATE POWER				497842-G2
AR N	ELEMENT GRIDBLE 3.4KV 480 VOLT				407774-3
I L1	LIGHT INDICATOR "DYEN"				488900-G3
AR L	LIGHT INDICATOR RED				488900-G1
AR K	WIRE ASSEMBLY (G)				414715-0088A
J	FRENCH PLATE 2.0KV 480 VOLT				421240-3
AR F	THERMOSTAT (SJJ)				411506-14
AR E	SWITCH 3 HEAT				395798-1
I D	HARNESS MAIN				957533-G1
C	ELEMENT DYEN 480V TOP 1.25KV				927538-6S
B	HARNESS POWER BOTTOM 3.75KV				927841-G1
A1	TERMINAL BLOCK 1 POLE 250/380				40872-9
A	TERMINAL BLOCK 3 POLE				410472-8

CODES	DESCRIPTION
J	X
E	V
W	A
MAN	PMI
ACAD	XVC
INC	

WIRING INFORMATION FOR UNITS LISTED	
REV	DESCRIPTION
1	927547
2	WIRING DIAGRAM E.136-480V
3	SCALE 1 = 1
4	DRAWN BY JOHN DOE 10/09
5	SHEET 1 OF 1

DRAWING STATUS	
DATE	10/10/09
SCALE	1 = 1
FOR SERVICE USE	
DATE	10/10/09
BY	HEB RYA
APPROVED	
DATE	10/10/09
BY	HEB RYA
APPROVED	
DATE	10/10/09
BY	HEB RYA
APPROVED	
DATE	10/10/09
BY	HEB RYA
APPROVED	

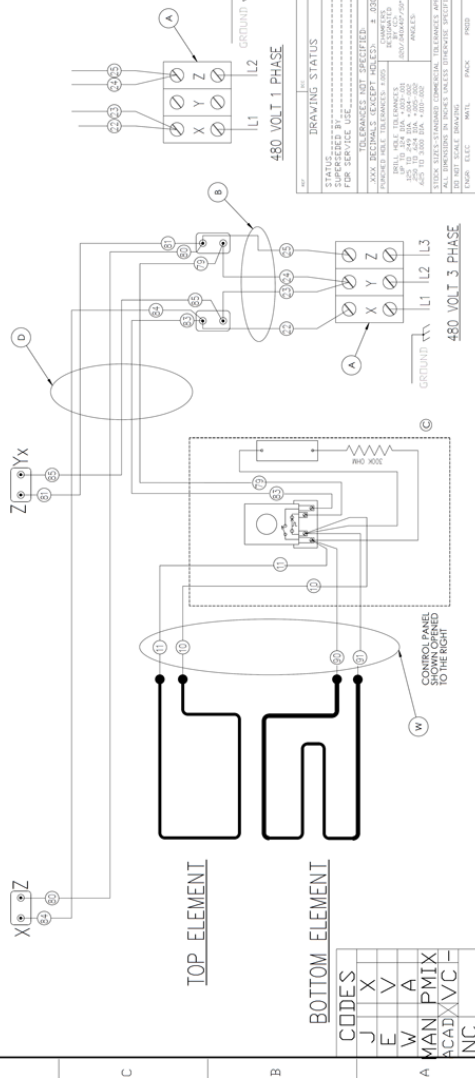
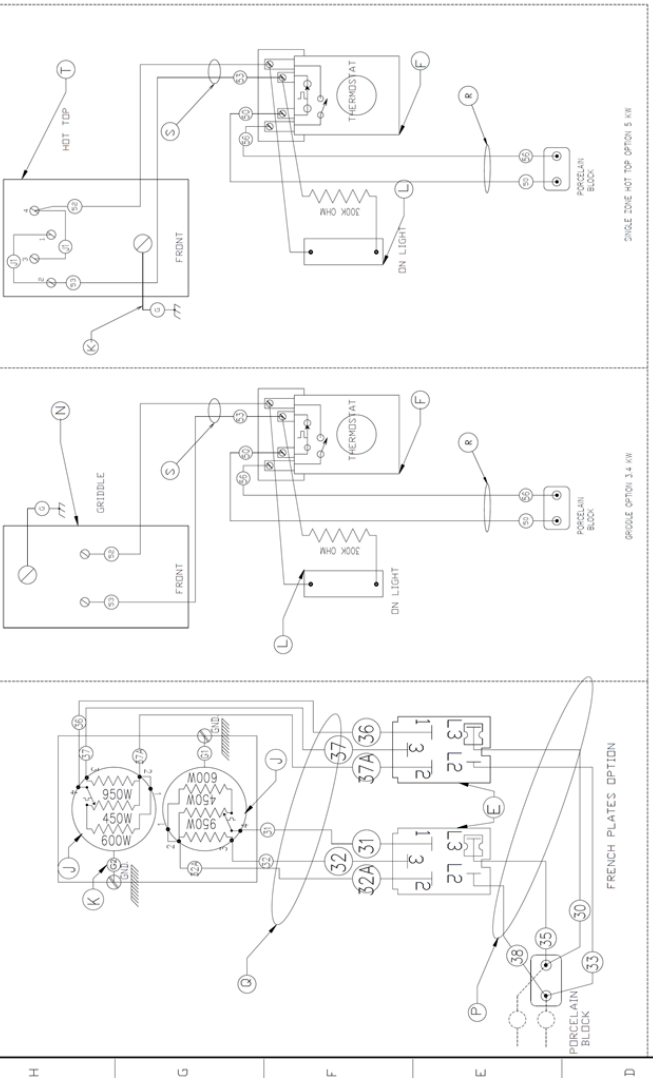
REV	BY	DESCRIPTION	DATE	APPROVED
1	ALB	REVISIONS	10/17/2009	TPP
2	APP	REVISIONS	10/17/2009	TPP
3	APP	REVISIONS	10/17/2009	TPP
4	APP	REVISIONS	10/17/2009	TPP
5	APP	REVISIONS	10/17/2009	TPP
6	APP	REVISIONS	10/17/2009	TPP
7	APP	REVISIONS	10/17/2009	TPP
8	APP	REVISIONS	10/17/2009	TPP

CONFIGURATION	KW			SINGLE PHASE	Z	SINGLE PHASE
	X-Y	Y-Z	Z-X			
RIGHT SIDE	5.0	3.4	3.4	11.8	15.1	12.2
FRONT	5.0	3.4	4.0	12.4	16.3	13.3
GRIDDLE	5.0	4.0	4.0	13.0	16.3	14.4
HOT TOPS	5.0	5.0	4.0	14.0	18.1	16.3
FRENCH PLATES	5.0	3.4	5.0	13.4	18.1	15.1
GRIDDLE	5.0	4.0	5.0	14.0	18.1	16.3
HOT TOPS	5.0	5.0	5.0	15.0	18.1	18.1

FRENCH PLATES HOT TOPS
 12" GRIDDLE 24" GRIDDLE

REV	BY	DESCRIPTION	DATE	APPROVED
1	W	HARNESS DIVEN ELEMENT	9/27/09-G2	
2	AR V	WIRE ASSEMBLY (LJ)	44712-008AA	
3	U	PORCELAIN BLOCK ASSEMBLY	417934-G1	
4	AR T	ELEMENT HOT TOP 5KW 480 VOLT	421820-3	
5	AR S	HARNESS GRIDDLE ELEMENT	497876-G2	
6	AR R	HARNESS GRIDDLE POWER	497844-G2	
7	AR O	HARNESS FRENCH PLATE ELEMENTS	927608-G2	
8	AR P	HARNESS FRENCH PLATE POWER	497842-G2	
9	AR N	ELEMENT GRIDDLE 3.4KW 480 VOLT	407774-3	
10	L1	LIGHT INDICATOR 'DIVEN'	428900-G3	
11	L	LIGHT INDICATOR RED	428900-G1	
12	AR K	WIRE ASSEMBLY (G)	44715-030AA	
13	J	FRENCH PLATE 20KW 480 VOLT	421840-3	
14	AR F	THERMOSTAT (S)	411506-14	
15	AR E	SWITCH 3 HEAT	355798-1	
16	D	HARNESS MAIN (60 RIGHT)	927634-G1	
17	C1	ELEMENT TOP 1.25KW 480 VOLT	927638-65	
18	C	ELEMENT BOTTOM 0.75KW 480 VOLT	927638-35	
19	B	HARNESS POWER 24	927640-G1	
20	A1	TERMINAL BLOCK 1 POLE 220/380	40472-9	
21	A	TERMINAL BLOCK 3 POLE	40472-8	

WIRING INFORMATION
 FOR UNITS LISTED
 WIRING DIAGRAM 480 VOLT
 E.V. & E.P. OF 60° RANGES
 DRAWN BY: T. WISEMAN 09-24-09 SCALE: NONE
 APPROVED BY: _____
 SHEET 09 OF 1 **D927568**



REV	BY	DESCRIPTION	DATE	APPROVED
1	W	HARNESS DIVEN ELEMENT	9/27/09-G2	
2	AR V	WIRE ASSEMBLY (LJ)	44712-008AA	
3	U	PORCELAIN BLOCK ASSEMBLY	417934-G1	
4	AR T	ELEMENT HOT TOP 5KW 480 VOLT	421820-3	
5	AR S	HARNESS GRIDDLE ELEMENT	497876-G2	
6	AR R	HARNESS GRIDDLE POWER	497844-G2	
7	AR O	HARNESS FRENCH PLATE ELEMENTS	927608-G2	
8	AR P	HARNESS FRENCH PLATE POWER	497842-G2	
9	AR N	ELEMENT GRIDDLE 3.4KW 480 VOLT	407774-3	
10	L1	LIGHT INDICATOR 'DIVEN'	428900-G3	
11	L	LIGHT INDICATOR RED	428900-G1	
12	AR K	WIRE ASSEMBLY (G)	44715-030AA	
13	J	FRENCH PLATE 20KW 480 VOLT	421840-3	
14	AR F	THERMOSTAT (S)	411506-14	
15	AR E	SWITCH 3 HEAT	355798-1	
16	D	HARNESS MAIN (60 RIGHT)	927634-G1	
17	C1	ELEMENT TOP 1.25KW 480 VOLT	927638-65	
18	C	ELEMENT BOTTOM 0.75KW 480 VOLT	927638-35	
19	B	HARNESS POWER 24	927640-G1	
20	A1	TERMINAL BLOCK 1 POLE 220/380	40472-9	
21	A	TERMINAL BLOCK 3 POLE	40472-8	

REV	BY	DESCRIPTION	DATE	APPROVED
1	W	HARNESS DIVEN ELEMENT	9/27/09-G2	
2	AR V	WIRE ASSEMBLY (LJ)	44712-008AA	
3	U	PORCELAIN BLOCK ASSEMBLY	417934-G1	
4	AR T	ELEMENT HOT TOP 5KW 480 VOLT	421820-3	
5	AR S	HARNESS GRIDDLE ELEMENT	497876-G2	
6	AR R	HARNESS GRIDDLE POWER	497844-G2	
7	AR O	HARNESS FRENCH PLATE ELEMENTS	927608-G2	
8	AR P	HARNESS FRENCH PLATE POWER	497842-G2	
9	AR N	ELEMENT GRIDDLE 3.4KW 480 VOLT	407774-3	
10	L1	LIGHT INDICATOR 'DIVEN'	428900-G3	
11	L	LIGHT INDICATOR RED	428900-G1	
12	AR K	WIRE ASSEMBLY (G)	44715-030AA	
13	J	FRENCH PLATE 20KW 480 VOLT	421840-3	
14	AR F	THERMOSTAT (S)	411506-14	
15	AR E	SWITCH 3 HEAT	355798-1	
16	D	HARNESS MAIN (60 RIGHT)	927634-G1	
17	C1	ELEMENT TOP 1.25KW 480 VOLT	927638-65	
18	C	ELEMENT BOTTOM 0.75KW 480 VOLT	927638-35	
19	B	HARNESS POWER 24	927640-G1	
20	A1	TERMINAL BLOCK 1 POLE 220/380	40472-9	
21	A	TERMINAL BLOCK 3 POLE	40472-8	

CODES	J	X	V	A	MAN	PMIX	ACAD	V/C	NC

NOTES

VULCAN

MANUEL D'INSTALLATION & MODE D'EMPLOI

CUISINIÈRES ÉLECTRIQUES DE RESTAURANTS

Groupe *ITW* Équipement alimentaire



MODÈLES

EV12

EV48S

EV24S

EV48SS

EV36S

EV60SS

EV72SS



Pour de plus amples détails concernant la Compagnie Vulcan-Hart ou pour trouver un fournisseur de pièces de rechange et d'entretien autorisé près de chez-vous, visitez notre site Web au : www.vulcanequipment.com

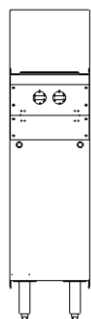
VULCAN-HART
UNE DIVISION DU GROUPE ITW ÉQUIPEMENT ALIMENTAIRE, SRL

3600 BOULEVARD NORTH POINT
BALTIMORE, MD 21222

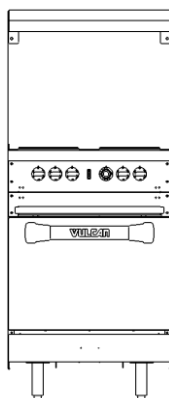
TABLE DES MATIÈRES

CUISINIÈRES ÉLECTRIQUES DE RESTAURANTS	3
GÉNÉRALITÉS	5
ACCESSOIRES À INSTALLER SUR LES LIEUX	5
INSTALLATION	6
Déballage	6
Emplacement	7
Codes d'installation et normes	7
Assemblage.....	7
Raccordements électriques	9
Nivelage	9
Installation du rebord avant à chanfrein arrondi	9
FONCTIONNEMENT	11
Commandes	11
Avant la première utilisation	12
Feux de type français	12
Grils lisses	13
Four	14
Panne de courant	14
Nettoyage	14
ENTRETIEN	15
Service de l'entretien et pièces de rechange	16
SPÉCIFICATIONS ÉLECTRIQUES	16
SCHÉMAS DE CÂBLAGE	17-21
NOTES	22

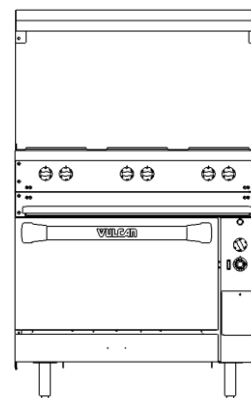
MODÈLES DES CUISINIÈRES ÉLECTRIQUES DE RESTAURANTS



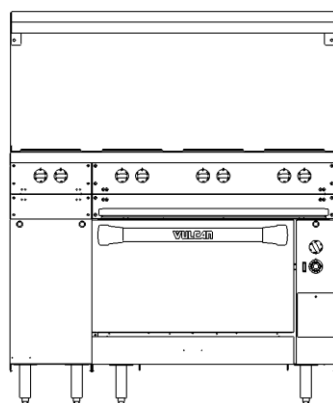
EV12



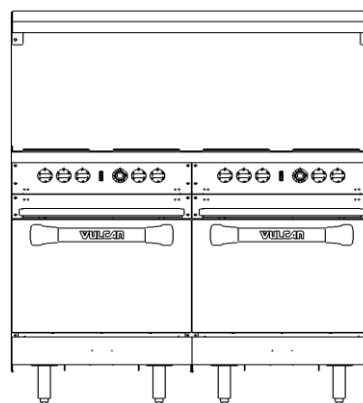
EV24S



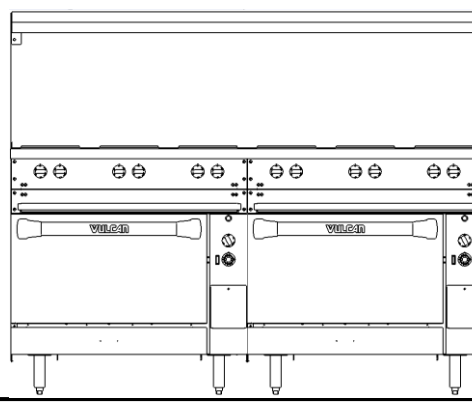
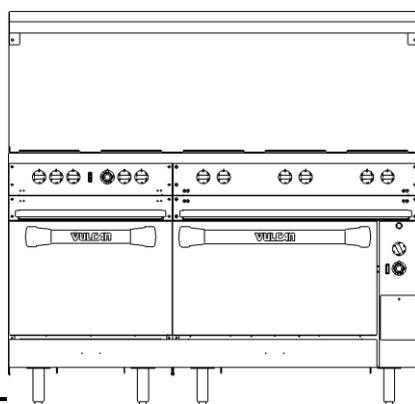
EV36S



EV48S



EV48SS



INSTALLATION, FONCTIONNEMENT ET ENTRETIEN DES CUISINIÈRES ÉLECTRIQUES DE RESTAURANTS

DOCUMENT À CONSERVER EN CAS DE BESOIN

GÉNÉRALITÉS

Lisez ce manuel au complet et observez soigneusement toutes les instructions mentionnées.

Les appareils Vulcan-Hart sont fabriqués par une main d'œuvre de qualité et avec de bons matériaux. Leur installation, utilisation et entretien appropriés permettront d'en obtenir un rendement satisfaisant pendant de nombreuses années.

ACCESSOIRES À INSTALLER SUR LES LIEUX OFFERTS EN OPTION

CODE D'ACCESSOIRE	DESCRIPTION
RSHELF-XL (24,36,48,60,72)	Étagère renforcée – Dosseret en inox d'une hauteur de 23 po (584 mm) équipé de supports de montage pour salamandres/grilloirs.
STUB10-XL (12,24,36,48,60,72)	Dosseret court de 10 po en inox. Livable avec les cuisinières de 12, 24, 36, 48, 60 et 72.
OVNRACK-XL (20,26) RKGUIDE-XL	1 grille supplémentaire avec les fours standards. 1 paire de glissières pour les grilles (jeu de 2).
CASTERS-RR4 CASTERS-RR8 CASTERS-ADJRR4	Jeu de quatre (4) roulettes de série. Jeu de huit (8) roulettes de série. Jeu de quatre (4) roulettes réglables – 2 jeux requis pour les cuisinières de 48, 60 et 72 po.
RCTWLBR-(24,36,48,60,72)	Ensemble porte-serviettes – Remplace le rebord arrondi de série. Livable avec les cuisinières de 24, 36, 48, 60 et 72.
RCCUTBD-(24,36,48,60,72)	Ensemble planche à découper – Remplace le rebord arrondi de série. Livable avec les cuisinières de 24, 36, 48, 60 et 72 po (comprend une planche à découper tout caoutchouc de marque Sani-TUFF®).
RCCONRL-(24,36,48,60,72)	Ensemble rail à condiments – Remplace le rebord arrondi de série. Livable avec les cuisinières de 24, 36, 48, 60 et 72 po (ne comprend pas les bacs à condiments).
SHIELD-FRYRH SHIELD-FRYLH	Bouclier pour friteuses – Côté gauche ou droit. Pour protéger le dessus de la cuisinière contre les projections d'huile venant d'une friteuse adjacente.
VFLANGED-FEET/4	Jeu de quatre (4) pieds à collerette – Deux (2) jeux requis pour les cuisinières de 48, 60 et 72 po.
CURBMNT-XL4	Montage sur muret porteur – Deux (2) jeux requis pour les cuisinières de 48, 60 et 72 po.

INSTALLATION

DÉBALLAGE

Cette cuisinière a été inspectée avant de quitter l'usine. En acceptant de livrer cette marchandise, le transporteur en assume l'entière responsabilité jusqu'à sa livraison. Immédiatement après avoir déballé l'appareil, vérifiez s'il n'a pas été endommagé lors du transport. En cas de dommages, conservez le matériel d'emballage et avisez le transporteur immédiatement.

Enlevez toutes les attaches et blocs de bois servant à l'expédition ainsi que tous les accessoires. Déballez l'étagère surélevée et les dossierets.

Avant l'installation, assurez-vous que l'alimentation électrique de l'immeuble correspond aux spécifications de la plaque signalétique se trouvant derrière le panneau inférieur du côté gauche. S'ils ne correspondent pas, communiquez immédiatement avec votre détaillant ou avec Vulcan-Hart.

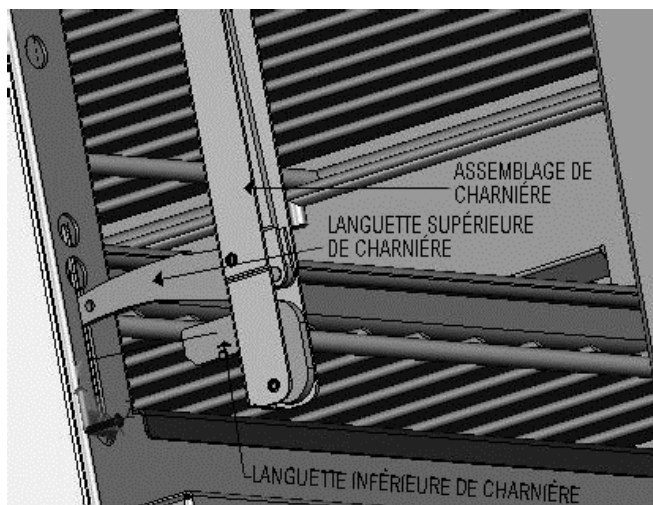
S'il est nécessaire de retirer la porte et de la réinstaller pour accéder à la cuisine, veuillez suivre les instructions ci-dessous.

Pour retirer la porte

1. Ouvrez la porte.
2. Agrippez la porte fermement des deux côtés.
3. Soulevez la porte vers le haut et faites-la coulisser de façon à dégager la languette inférieure de la charnière.
*Il est plus facile de faire un côté à la fois.
4. Fermez la porte presque au complet et abaissez-la légèrement pour dégager la languette supérieure de la charnière.
5. Tirez la porte vers l'extérieur

Installation de la porte

1. Agrippez la porte fermement des deux côtés.
2. En commençant par la languette supérieure de la charnière de gauche ou de droite, penchez la porte et glissez la languette supérieure de la charnière dans l'ouverture entre le rouleau d'arrêt et la goupille d'arrêt de la charnière.
3. Soulevez la porte vers le haut (compressez la charnière comme si vous ouvriez la porte) et positionnez la languette inférieure vers le bas à un angle d'environ 30 degrés du plan horizontal.
4. Poussez la porte vers l'intérieur, en insérant la languette inférieure de la charnière à un angle descendant dans l'ouverture juste au-dessus la goupille d'arrêt de la charnière.
*La languette de la charnière inférieure doit entrer dans le châssis à un angle descendant pour pouvoir s'engager.
5. La languette inférieure de la charnière devrait s'engager sur la goupille d'arrêt de la charnière.
6. Ouvrez et tirez la porte vers l'extérieur jusqu'à ce que la languette inférieure de la charnière se verrouille sur la goupille d'arrêt de la charnière.
7. Reprenez les étapes ci-dessus pour le côté opposé.
8. Ouvrez et fermez la porte pour vous assurer que les charnières sont bien verrouillées en place et que la porte fonctionne en douceur.



EMPLACEMENT

Les cuisinières doivent se trouver dans un endroit suffisamment dégagé pour en permettre l'entretien et le fonctionnement approprié. Un dégagement minimal de 1 016 mm (40 po) est requis devant l'appareil.

Dégagement – mm (po)

	Combustible	Incombustible
Côté – Feu rond Français, Gril lisse	25.4 (1)	0
Côté – Plaque coup de feu	152 (6)	0
Arrière	0	0

Matière combustible comprend les matériaux constitués ou revêtus de bois, de papier comprimé, de fibres végétales ou d'autres matériaux susceptibles d'être enflammés et brûlés. Un tel matériau doit être considéré comme combustible même s'il est ignifugé, ignifugé ou plâtré. [Définition avec l'aimable autorisation de ANSI]

CODES D'INSTALLATION ET NORMES

L'installation des cuisinières Vulcan doit se faire selon les codes locaux ou, en l'absence de tels codes, selon la norme ANSI/NFPA-70 (édition la plus récente) du Code national de l'électricité dont on peut se procurer copie auprès de la National Fire Protection Association, Batterymarch Park, Quincy, MA 02269. Pour le Canada, se référer au Code canadien de l'électricité C22.1, Partie 1 (édition la plus récente).

ASSEMBLAGE

Assemblage des pieds et des roulettes

MODÈLES DES CUISINIÈRES	INSTALLATION DES PIEDS	INSTALLATION DES ROULETTES
EV12	4	4
EV24	4	4
EV36	4	4
EV48	8	8
EV60	8	8
EV72	8	8

La cuisinière est expédiée complètement assemblée excepté les pieds. Elle est pourvue de pieds réglables en inox de 152 mm (6 po) (quincaillerie incluse), emballés dans une boîte placée à l'intérieur du four. Un ensemble de roulettes de 152 mm (6 po) est un accessoire offert en option qui peut s'installer sur place.

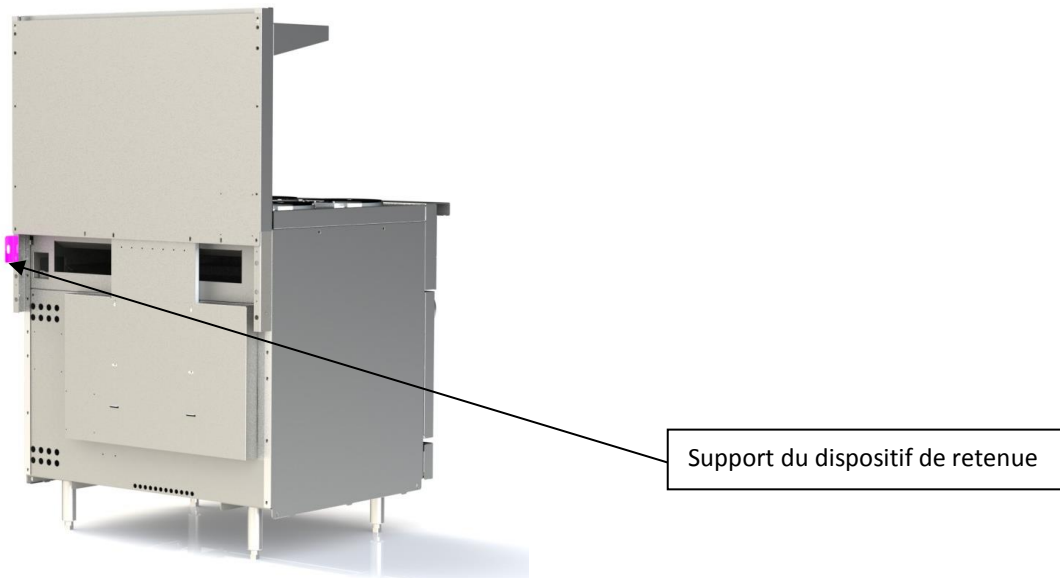
Installation des pieds ou des roulettes :

1. Penchez ou soulevez doucement la cuisinière pour avoir accès au sous plancher pour l'installation des pieds.
2. Alignez les trous de la plaque de montage des pieds ou des roulettes avec les trous déjà perforés aux quatre coins dans le bas de la cuisinière.
3. Attachez la plaque de montage au bas de la cuisinière en utilisant quatre vis auto taraudeuses de 1/4 – 20 x 5/8 po (livrées). Si des roulettes sont installées, les roulettes de freinage devraient être installées à l'avant.
4. Après avoir installé tous les pieds et les roulettes, remettez doucement la cuisinière debout

(Pour des renseignements supplémentaires au sujet des pieds, voir la section Nivelage de ce manuel).

Un appareil monté sur roulettes qui est raccordé en permanence et qui doit être fixé à la structure de l'édifice doit être conforme aux critères suivants :

- a. Prenez les moyens nécessaires pour limiter le mouvement de l'appareil sans avoir à dépendre de la conduite électrique ou d'avoir à tirer dessus.
- b. Les endroits où les dispositifs de retenue sont attachés à l'appareil doivent être situés à l'extérieur des pièces arrière du châssis du four de la cuisinière (là où le bas arrière de l'écran thermique est boulonné à la cuisinière.) Utilisez les supports inclus comme points de raccordement tel qu'illustré ci-dessous.
- c. Utilisez un conduit flexible pour l'installation de cet appareil.



Si la cuisinière est installée sur des roulettes et doit être déplacée pour une raison quelconque, il est conseillé de la niveler de nouveau d'avant vers l'arrière et d'un côté à l'autre.

RACCORDEMENTS ÉLECTRIQUES

▲ AVERTISSEMENT LE RACCORDEMENT ÉLECTRIQUE ET LA MISE À LA TERRE DOIVENT ÊTRE CONFORMES AUX NORMES CONCERNÉES DU CODE CANADIEN DE L'ÉLECTRICITÉ OU DE TOUT AUTRE CODE D'ÉLECTRICITÉ EN VIGUEUR.

▲ AVERTISSEMENT COUPEZ L'ALIMENTATION ÉLECTRIQUE DE L'APPAREIL ET APOSEZ UNE ÉTIQUETTE AU DISJONCTEUR POUR AVERTIR QU'UN TECHNICIEN TRAVAILLE SUR LE CIRCUIT.

Placez la cuisinière à l'emplacement prévu. Passez le conduit renfermant le fil d'alimentation approprié à la cuisinière dans la débouchure située dans le bas de l'appareil. Il vous faut choisir le calibre et le type de fil conformément au Code canadien de l'électricité et en fonction de la tension et l'intensité nominale de l'appareil. Pour les appareils de plus de 80 A, utilisez des fils pouvant supporter des températures allant jusqu'à 75 °C (167 °F).

ATTENTION Si vous avez acheté un modèle EV48, EV60 ou EV72, il y aura deux (2) raccordements électriques. Les parties à gauche et à droite de la cuisinière sont munies de circuits de dérivation individuels et on trouve les points de raccordement sous chaque four ou dans le panneau de commande du côté droit.

ATTENTION LES APPAREIL DE 48, 60 ET 72 PO COMPORTENT PLUS D'UNE SOURCE D'ALIMENTATION ÉLECTRIQUE. CHAQUE SOURCE DOIT ÊTRE RACCORDÉE CONFORMÉMENT AU CODE NATIONAL ÉLECTRIQUE (ÉDITION LA PLUS RÉCENTE) OU AUX CODES LOCAUX.

Raccordez les fils d'alimentation au bloc de jonction sur les lieux ainsi que le fil vert au raccord de mise à la terre étiqueté comme tel. Le conduit d'alimentation devrait être ancré dans le trou d'accès avec un raccord de traversée.

À l'expédition, les cuisinières sont câblées pour un courant triphasé, mais ce câblage peut être changé sur place pour un courant monophasé. Voir le schéma de câblage et le décalque schématique attaché à la cuisinière si des changements sont nécessaires.

NIVELAGE

Déposez un niveau de menuisier sur le dessus de la cuisinière et procédez à son nivelage d'avant vers l'arrière puis d'un côté à l'autre en tournant le pied de réglage.

INSTALLATION DE L'ACCESSOIRE REBORD AVANT ARRONDI

- 1) Retirez les vis qui retiennent le couvercle du commutateur en place et laissez-le pivoter vers le bas pour l'écarter.
- 2) Retirez les vis du devant qui le retiennent en place.
- 3) Faites glisser le devant arrondi standard pour le retirer de la cuisinière.
- 4) Faites glisser l'accessoire dans le chemin duquel le devant arrondi standard a été retiré et alignez le bien avec le côté de la cuisinière.
- 5) Commencez à serrer une vis à un bout de la cuisinière en ne la serrant pas complètement.
- 6) Allez à l'autre côté de la cuisinière pour installer une autre vis tel qu'illustré à la figure 2, procédez à l'alignement et serrez la vis solidement.
- 7) Installez les vis qui vous restent et serrez toutes les vis solidement.

Tablette à découper
(Accessoire)

Tablette à condiments
(Accessoire)

Barre à serviettes
(Accessoire)

Tablette avant
arrondie standard



Figure 1

Remarque : alignez bien le
bout du rebord arrondi au
bout de la cuisinière.

Installez les vis cruciformes 10-24 x ½ po
dans les fentes de la tablette arrondie
tel que noté.

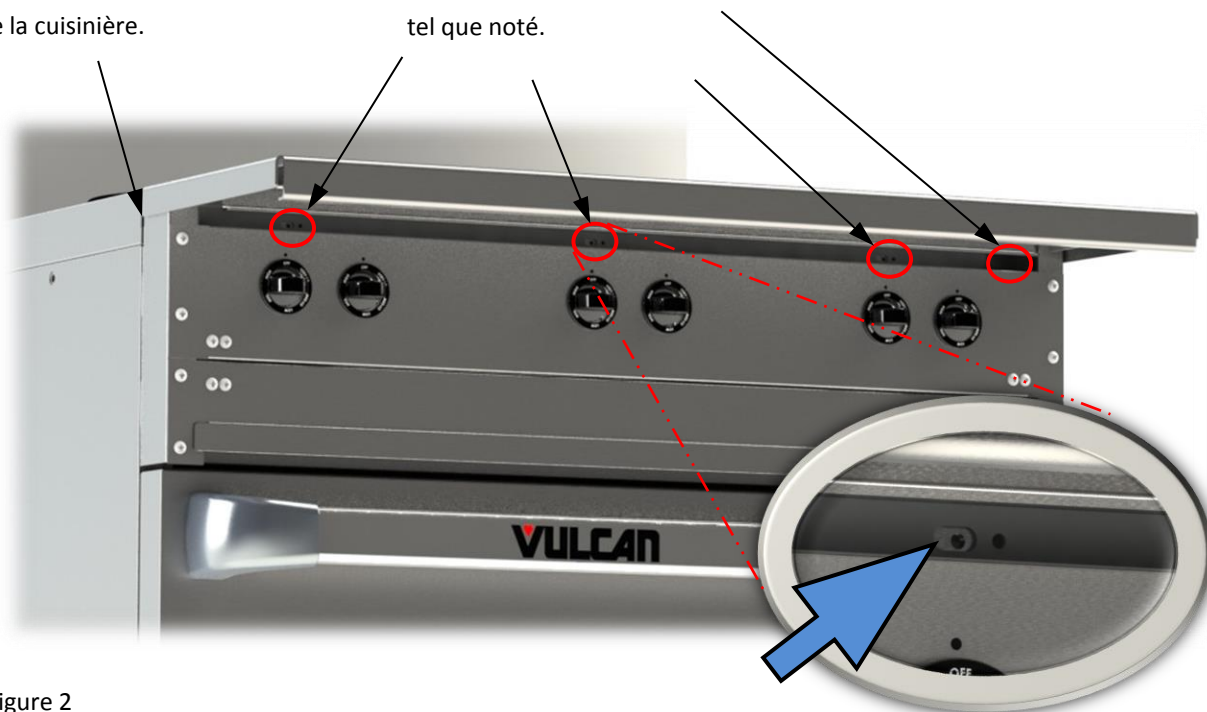
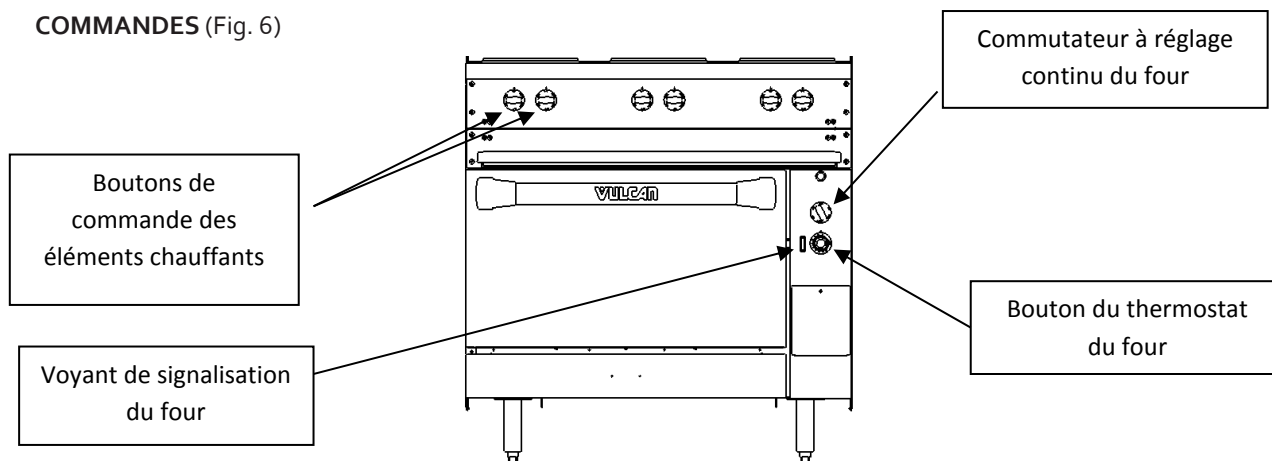


Figure 2

FONCTIONNEMENT

▲ AVERTISSEMENT LA CUISINIÈRE ET SES COMPOSANTS SONT CHAUDS. EXERCEZ UNE EXTRÊME PRUDENCE LORS DE SON UTILISATION, NETTOYAGE ET ENTRETIEN.

COMMANDES (Fig. 6)



Modèle EV36 illustré

Fig. 6

<p>Commande des éléments chauffants —</p>	<p>Commutateurs à réglage continu servant à régler et à maintenir la température des feux de surface. Ces commutateurs fonctionnent par paires; le bouton de gauche commande la température du feu avant et celui de droite, la température du feu arrière. NOTA : Pour les appareils de 480 V, les feux à la française sont commandés par un commutateur à 3 positions (FEU ÉLEVÉ = 2 000 W, FEU MOYEN = 1 000 W, FEU BAS = 500 W).</p>
<p>Interrupteur de la surface coup de feu —</p>	<p>(Non illustré). Un thermostat (1-10) servant à régler et à maintenir la température de la section coup de feu. Choisir le niveau de chaleur désiré, 1 étant le minimum et 10 le maximum.</p>
<p>Thermostat de grill lisse —</p>	<p>(Non illustré). Dispositif servant à régler la quantité de chaleur requise pour le maintien de la température désirée. Chaque section de 12 po (305 mm) du grill lisse est dotée de son propre thermostat dont la fourchette de température va de 93 à 288 °C (200 à 550 °F).</p>
<p>Voyant du grill lisse —</p>	<p>(Non illustré) Ce voyant demeure allumé tant que la température désirée n'est pas atteinte ou maintenue.</p>
<p>Bouton du thermostat du four —</p>	<p>Bouton servant à régler la quantité de chaleur requise pour le réglage et le maintien de la température du four. Celui-ci est gradué de 93 à 288°C (200 à 550 °F). Pour augmenter la température, tournez le bouton dans le sens contraire de l'horloge et dans le sens inverse pour la réduire.</p>
<p>Commutateur à réglage continu de l'élément supérieur du four</p>	<p>Dispositif servant à commander la cuisson par l'élément chauffant du haut pour brunir. Réglez au besoin selon la température désirée pour brunir le produit. NOTA : Le commutateur à réglage continu n'est pas disponible pour les appareils de 480 V. L'endroit où il est placé sur le panneau sera bouché par une fiche.</p>
<p>Voyant de four —</p>	<p>Lorsqu'il est allumé, ce voyant indique que la température désirée est atteinte ou maintenue.</p>

AVANT LA PREMIÈRE UTILISATION

Nettoyage

Nettoyez la cuisinière et tous les accessoires avec de l'eau et du détergent doux. Bien rincer et essuyer à l'aide d'un chiffon propre et doux.

Culottage du gril

Avant de sortir de l'usine, le gril a été enduit d'une couche d'huile végétale pour le protéger contre la rouille. Pendant le nettoyage de la plaque lisse, avant la première cuisson, retirez cet enduit. Chauffez le gril à une température variant entre 200 et 300°F (95 et 150°C) pour détacher et faire fondre l'enduit, puis nettoyez la surface à l'aide d'un dégraissant commercial non corrosif en observant les consignes du fabricant. Rincez et séchez à fond avec un chiffon doux propre.

Il est nécessaire de conditionner un gril lisse neuf. Sa surface de métal est poreuse. Les aliments ont tendance à s'incruster dans les pores et à y adhérer; Il est donc important de « conditionner » ou de « remplir » ces pores d'huile de cuisson avant de commencer. Le conditionnement donne à la surface un fini lisse et dur, ce qui facilite l'enlèvement des aliments.

Pour la conditionner, chauffez la surface du gril à basse température et versez-y une once d'huile de cuisson par pied carré. À l'aide d'un chiffon isolé, étendez l'huile sur toute la surface du gril lisse de manière à obtenir un mince film puis essuyez tout surplus d'huile avec le chiffon.

Répétez la manœuvre à deux ou trois reprises jusqu'à ce que la surface soit bien lisse.

FEUX À LA FRANÇAISE

Pour maximiser l'efficacité des plaques à la française, utilisez des marmites ou casseroles dont le diamètre intérieur n'excède pas 254 mm (10 po) ou mesure au moins 229 g (9 po). On recommande l'utilisation de marmites de 8,4, 11,3 et 15,4 litres (9, 12 et 16 pintes) pour la cuisson en vrac (Fig. 7).

ATTENTION Il est recommandé d'utiliser des marmites ou des casseroles à fond plat qui couvrent toute la surface de la plaque. Les marmites ou casseroles à fond courbé (que ce soit par design ou qu'elles soient gauchies par l'utilisation) auront un mauvais contact et, par le fait même, le transfert de chaleur ne se fera pas bien. Ceci aura pour résultat une piètre performance de cuisson.

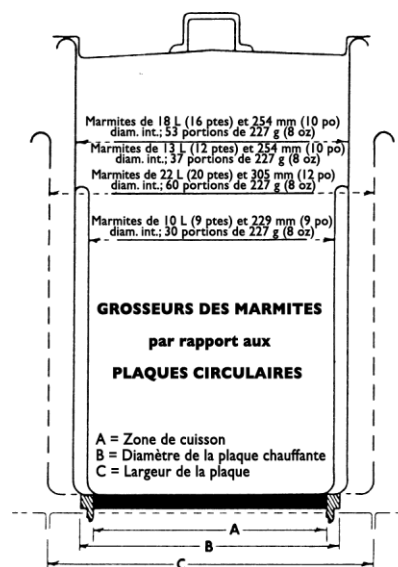


Fig. 7

Les feux à la française (à surface pleine) fonctionnent à une puissance nominale de 2 000 W et sont commandés par un commutateur à réglage continu. Ils requièrent de 5 à 7 minutes pour atteindre la température de cuisson au réglage ÉLEVÉ à partir de la température ambiante.

Chaque bouton de commande porte les inscriptions **HI, MED, LO, MED-LO** et **VERY-LO** (ÉLEVÉ, MOYEN, BAS, MOYENNEMENT BAS et TRÈS BAS respectivement). La marque ÉLEVÉ correspond au réglage le plus puissant. Utilisez ce réglage pour amorcer la cuisson rapidement ou amener l'eau à ébullition.

Certaines choses À FAIRE et NE PAS FAIRE à l'égard de la cuisson sur la surface

À FAIRE : utilisez des marmites et casseroles de même dimension que les plaques (diamètre intérieur de 229 à 254 mm (9 à 10 po)).

À FAIRE : utilisez des marmites et casseroles à fond plat et côtés droits.

À FAIRE : couvrez les marmites. L'eau vient ainsi à ébullition beaucoup plus rapidement. De plus, la cuisson dans un récipient couvert requiert une quantité moindre d'eau et d'énergie, de sorte que les aliments conservent leurs vitamines et minéraux.

À FAIRE : éteignez les feux quelques minutes avant la fin de la cuisson de façon à utiliser la chaleur emmagasinée dans la plaque.

NE PAS FAIRE : laisser les plaques chauffer à vide à intensité élevée, car elles atteindront des températures très élevées qui risquent de provoquer le gauchissement ou le bombement de la fonte. Les plaques chauffées à vide à l'intensité MED-LO (MOYEN-ÉLEVÉ) puis HI (ÉLEVÉ) lorsque des marmites ou casseroles s'y trouvent assurent une cuisson tout aussi rapide sans toutefois endommager les plaques. Les dommages causés aux plaques laissées à chauffer sans charge au réglage HI (ÉLEVÉ) annuleront la garantie.

PLAQUE COUP DE FEU

Les plaques coup de feu peuvent compenser pour les marmites dont le diamètre interne dépasse 254 mm (10 po). Les marmites peuvent dépasser d'une section coup de feu à une autre sans aucune perte de zone de chauffage.

ATTENTION Il est important d'utiliser des marmites ou des casseroles à fond plat qui couvrent uniformément toute la surface de la plaque coup de feu. Les marmites ou casseroles à fond courbé (que ce soit par design ou qu'elles soient gauchies par l'utilisation) auront un mauvais contact et, par le fait même, le transfert de chaleur ne se fera pas bien. Ceci aura pour résultat une piètre performance de cuisson.

Les sections coup de feu ont une intensité de 2 500 watts et sont commandées par un contrôle à action rapide dont le bouton est marqué de 0 à 10 (10 étant le réglage de température le plus élevé). À partir de la température ambiante, une section coup de feu atteindra la température de cuisson en 15 à 20 minutes à un réglage de thermostat de 10.

Choses À FAIRE et NE PAS FAIRE à l'égard de la cuisson sur une plaque coup de feu

À FAIRE : utilisez des marmites et casseroles à fond plat et côtés droits.

À FAIRE : couvrez les marmites. L'eau vient ainsi à ébullition beaucoup plus rapidement. De plus, la cuisson dans un récipient couvert requiert une quantité moindre d'eau et d'énergie, de sorte que les aliments conservent leurs vitamines et minéraux.

GRIL LISSE

Se reporter à sa section **AVANT LA PREMIÈRE UTILISATION** pour le conditionnement du gril lisse.

ATTENTION Cette plaque lisse est en acier, mais sa surface est relativement tendre et peut rayer ou bosseler suite à l'utilisation d'une spatule ou d'un grattoir d'une manière négligente. Prenez soin de ne pas la bosseler, l'égratigner ou la rayer. Ne pas y cogner les coins ou les rebords d'une spatule pour tenter de déloger les particules d'aliments qui pourraient s'y trouver.

Les grils lisses sont équipés d'un élément chauffant de 3 400 watts par zone de gril de 305 mm (12 po). Chaque élément est commandé par un thermostat séparé gradué de 93 à 288 °C (200 à 550 °F)

FOUR

ATTENTION Ne jamais recouvrir la sole ou la grille de papier d'aluminium. Le four ne fonctionnera pas correctement et la cuisinière pourrait être endommagée.

Les cuisinières EV24S et EV36S sont pourvues d'un seul four tandis que les modèles EV48S, EV60SS et EV72SS sont pourvus de deux fours séparés. Chaque four est muni d'éléments chauffants supérieurs et inférieurs. L'élément supérieur est commandé par un commutateur à réglage continu pour le brunissage. **CECI N'EST PAS UN ÉLÉMENT À GRILLER.** (L'interrupteur à réglage continu n'est pas livrable pour un élément supérieur de 480 volts).

La puissance totale du four est de 5 000 W, soit 1 250 W pour l'élément chauffant supérieur et 3 750 W pour l'élément chauffant inférieur.

Préchauffage

Préchauffez le four avant de l'utiliser. Pour ce faire, réglez le commutateur et le thermostat à la température désirée. Lorsque le voyant rouge s'éteint, le four est prêt pour la cuisson. Pour les charges pleines et les produits de boulangerie et pâtisseries délicats, il est préférable de laisser le voyant rouge s'allumer et s'éteindre une seconde fois avant de procéder au chargement du four.

Cuisson pâtisserie/boulangerie

On peut cuire la plupart des produits en réglant le commutateur de l'élément chauffant supérieur entre **VERY LO (TRÈS BAS)** et **LO (BAS)**. Il se peut que les aliments qui brunissent difficilement, comme le pain de maïs ou les biscuits, requièrent un réglage **MED (MOYEN)** ou **HI (ÉLEVÉ)**. Commencez par utiliser le réglage **LO (BAS)** sur l'élément chauffant supérieur puis augmentez seulement si nécessaire

Rôtissage

Mettez la viande dans un plat à rôtir dont les bords sont suffisamment hauts pour empêcher le jus de cuisson de déborder. Déposez le plat sur la grille ou sur la sole. Pour de meilleurs résultats, le ministère de l'agriculture des États-Unis et l'Institut américain de la viande recommandent de faire rôtir la viande à basse température, soit entre 93 et 163 °C (200 et 325 °F). Réglez le commutateur à réglage continu à **HI (ÉLEVÉ)** pour la plupart des viandes. Dans le cas de la volaille, réglez-le entre **MED-LO (MOYENNEMENT BAS)** et **VERY-LO (TRÈS BAS)** pour empêcher de trop brunir.

L'élément chauffant supérieur du four n'est pas approprié pour le grillage et ne fonctionne pas séparément du thermostat du four (élément inférieur).

PANNE DE COURANT

En cas de panne de courant, la cuisinière s'éteint automatiquement. Dès que le courant est rétabli, elle poursuit son cycle de cuisson normal. Si elle était sans surveillance pendant une panne de courant, mettez tous les interrupteurs et boutons de commande à **OFF (Arrêt)**. Dès que le courant est rétabli, remettez ceux-ci à **ON (Marche)**. L'appareil préchauffe pendant cinq minutes avant de poursuivre la cuisson normalement.

NETTOYAGE

DÉBRANCHEZ L'APPAREIL AVANT DE LE NETTOYER

▲ AVERTISSEMENT N'UTILISEZ PAS le détergent à vaisselle Dawn® pour nettoyer les composants extérieurs et intérieurs de la cuisinière®.

N'UTILISEZ PAS de poudre à récurer. Elle s'enlève très difficilement et peut s'accumuler, ce qui risque d'endommager l'appareil.

N'UTILISEZ PAS des produits contenant des TSC.

Nettoyez la cuisinière et le four avec de l'eau chaude savonneuse et un chiffon doux. Rincez à fond et essuyez à l'aide d'un chiffon doux et propre.

Gril lisse

Nettoyez le gril lisse avec une spatule approuvée après chaque usage. Le tiroir capteur de graisse devrait être vidé sur une base routinière. Un trou de purge indique que le tiroir de graisse est près de sa pleine capacité. Si le tiroir de graisse n'est pas vidé, il débordera et cela pourrait endommager la cuisinière. Hebdomadairement, ou plus souvent au besoin, nettoyez à fond la surface du gril lisse au moyen d'une pierre pour plaque lisse et d'un peu de graisse. Frottez dans le sens du grain pendant qu'elle est encore chaude. On peut aussi la nettoyer à l'eau et au détergent à l'aide d'une brosse d'acier. Toute trace de détergent doit être soigneusement retirée. Après chaque grand nettoyage, le gril lisse doit être conditionné de nouveau (voir la section **AVANT LA PREMIÈRE UTILISATION** de ce mode d'emploi).

Évitez l'accumulation de graisse collée sous le rebord du trou d'égouttement et autour des bords extérieurs du gril lisse.

Si le gril lisse ne sera pas utilisé avant une longue période, étendez une épaisse couche de graisse sur toute sa surface.

Le four

Nettoyez le four et la porte quotidiennement, spécialement après la cuisson de tartes aux fruits, de sauces aux tomates et de viandes ou après des débordements. Si on ne le fait pas, il peut en résulter de la corrosion dans les composants de métal.

Si les parois et les soles du four sont très sales, enlevez les débordements de sucre ou de graisse brûlés au moyen d'ammoniaque ou d'un nettoyant pour four, mais ceux-ci doivent être rincés à l'eau en profondeur pour éviter la corrosion.

L'odeur de certains aliments cuits à basse température peut persister dans le four. Pour éliminer ces odeurs, faites chauffer le four à vide à 260 °C (500 °F) pendant 30 à 45 minutes.

ENTRETIEN

▲ AVERTISSEMENT LA CUISINIÈRE ET SES COMPOSANTS SONT CHAUDS. EXERCEZ UNE EXTRÊME PRUDENCE LORS DE SON UTILISATION, NETTOYAGE ET ENTRETIEN.

▲ AVERTISSEMENT Avant de nettoyer et d'entretenir cet appareil, coupez l'alimentation électrique et observez les procédures de verrouillage et d'étiquetage appliance.

RENSEIGNEMENTS SUR L'ENTRETIEN ET LES PIÈCES DE RECHANGE

Pour obtenir des renseignements sur l'entretien de l'appareil ou sur les pièces de rechange, communiquez avec le service de l'entretien Vulcan-Hart près de chez-vous ou à l'adresse ou numéro de téléphone inscrits sur la page couverture de ce manuel.

SPÉCIFICATIONS ÉLECTRIQUES

Modèle Configuration	Kilowatts				208 Volts A				240 Volts A				480 Volts A			
	X-Y	Y-Z	Z-X	Simple Phase	X	Y	Z	Simple Phase	X	Y	Z	Simple Phase	X	Y	Z	Simple Phase
Cuisinière de 12 pouces																
EV12--2FP	2,0	2,0	0,0	4,0	8,0	17,0	8,0	19,0	7,0	14,0	7,0	17,0	3,6	7,2	3,6	8,3
EV12--1HT				5,0				24,0				21,0				10,4
Cuisinières de 24 po avec un four standard																
EV24S--4FP	5,0	4,0	4,0	13,0	37,5	37,5	33,3	62,5	32,5	32,5	28,9	54,2	16,3	16,3	14,4	27,1
EV24S--2HT	5,0	5,0	5,0	15,0	41,6	41,6	41,6	72,1	36,1	36,1	36,1	62,5	18,1	18,1	18,1	31,2
Cuisinières de 36 po avec un four standard																
EV36S--6FP	4,0	8,0	5,0	17,0	37,5	50,0	54,1	81,7	32,5	43,3	46,9	70,8	16,3	21,7	23,5	35,4
EV36S--3HT	5,0	10,0	5,0	20,0	41,6	62,5	62,5	96,2	36,1	54,1	54,1	83,3	18,1	27,1	27,1	41,7
EV36S--2HT2FP	4,0	10,0	5,0	19,0	37,5	58,3	62,5	91,4	32,5	50,5	54,1	79,2	16,3	25,3	27,1	39,6
EV36S--1HT4FP	4,0	9,0	5,0	18,0	37,5	54,1	58,3	86,5	32,5	46,9	50,5	75,0	16,3	23,5	25,3	37,5
EV36S--2FP24G	3,4	7,4	5,0	15,8	35,0	45,0	51,6	76,0	30,3	39,0	44,7	65,8	15,2	19,5	22,4	32,9
EV36S--1HT24G	3,4	8,4	5,0	16,8	35,0	49,1	55,8	80,8	30,3	42,6	48,4	70,0	15,2	21,3	24,2	35,0
EV36S--4FP12G	3,4	8,0	5,0	16,4	35,0	47,5	54,1	78,8	30,3	41,1	46,9	68,3	15,2	20,6	23,3	34,2
EV36S--2HT12G	3,4	10,0	5,0	18,4	35,0	55,8	62,5	88,5	30,3	48,4	54,1	76,7	15,2	24,2	27,1	38,4
EV36S--36G	3,4	6,8	3,4	15,2	35,0	42,5	49,1	73,1	30,3	36,8	42,6	63,3	15,2	18,4	21,3	31,7

Clé – FP = Feux de type français (2 par section de 12 po) HT = Surface coup de feu (1 par section de 12 po) G = Gril lisse (on peut commander des grils de 12, 24 ou 36 po)

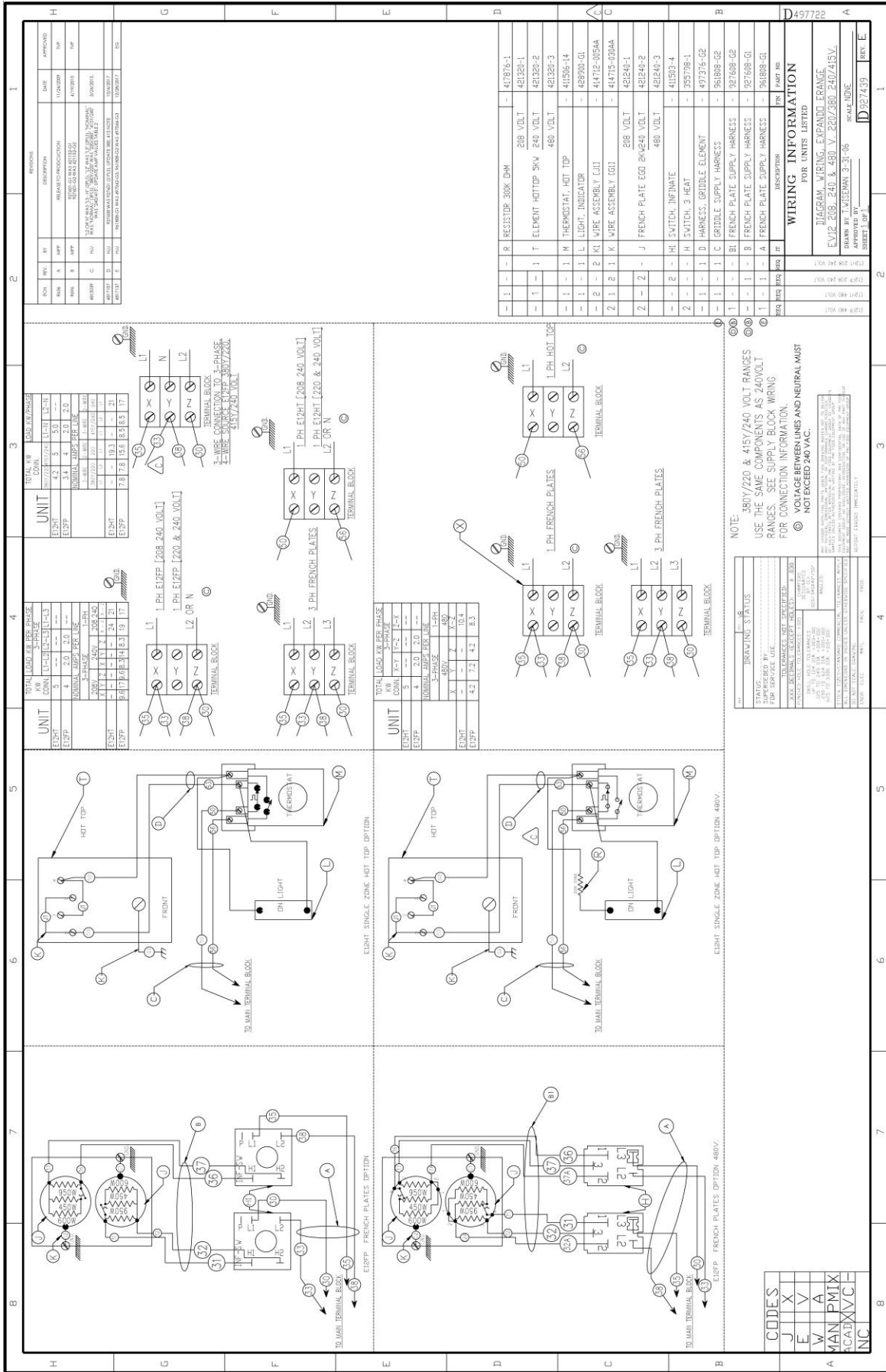
Tous les grils lisses de moins de 36 pouces sont toujours montés du côté droit de la cuisinière.

▲ AVERTISSEMENT Toutes les cuisinières d'une largeur de plus de 36 pouces comportent deux connexions électriques. Assurez-vous que les deux sources d'alimentation ont été débranchées avant de commencer tout entretien de l'appareil.

CUISINIÈRES DOUBLES

Les cuisinières d'une largeur de plus de 36 pouces sont construites de la façon suivante :

- EV48S – Jumelage d'un EV36S avec un EV12
- EV48SS – Jumelage de deux EV24S
- EV60SS – Jumelage d'un RV24S et d'un EV36S
- EV72SS – Jumelage de deux EV36S



REV.	BY	DESCRIPTION	DATE	APPROVED
1	AWP	RELIEF TO PRODUCTION	11/04/2009	TPP
2	AWP	UPDATE TO 2009 SPECIFICATIONS	4/18/2010	TPP
3	AWP	12 POC HAS 24 VOLT SUPPLY FROM POWER SUPPLY	3/20/2011	
4	AWP	12 VOLT SUPPLY FROM POWER SUPPLY	11/02/2011	
5	AWP	12 VOLT SUPPLY FROM POWER SUPPLY	11/02/2011	

REV.	BY	DESCRIPTION	REV.		DATE	APPROVED
			NO.	BY		
1	AWP	208 VOLT	1	AWP	11/04/2009	TPP
2	AWP	240 VOLT	2	AWP	4/18/2010	TPP
3	AWP	240 VOLT	3	AWP	3/20/2011	
4	AWP	240 VOLT	4	AWP	11/02/2011	
5	AWP	240 VOLT	5	AWP	11/02/2011	

TOTAL LOAD OR PER PHASE	
KW	CONN.
3	3-PHASE
4	1-1-1-1-1-1-1-1-1-1-1
5	5
6	6
7	7
8	8
9	9
10	10
11	11
12	12
13	13
14	14
15	15
16	16
17	17

TOTAL LOAD OR PER PHASE	
KW	CONN.
3	3-PHASE
4	1-1-1-1-1-1-1-1-1-1-1
5	5
6	6
7	7
8	8
9	9
10	10
11	11
12	12
13	13
14	14
15	15
16	16
17	17

TOTAL LOAD OR PER PHASE	
KW	CONN.
3	3-PHASE
4	1-1-1-1-1-1-1-1-1-1-1
5	5
6	6
7	7
8	8
9	9
10	10
11	11
12	12
13	13
14	14
15	15
16	16
17	17

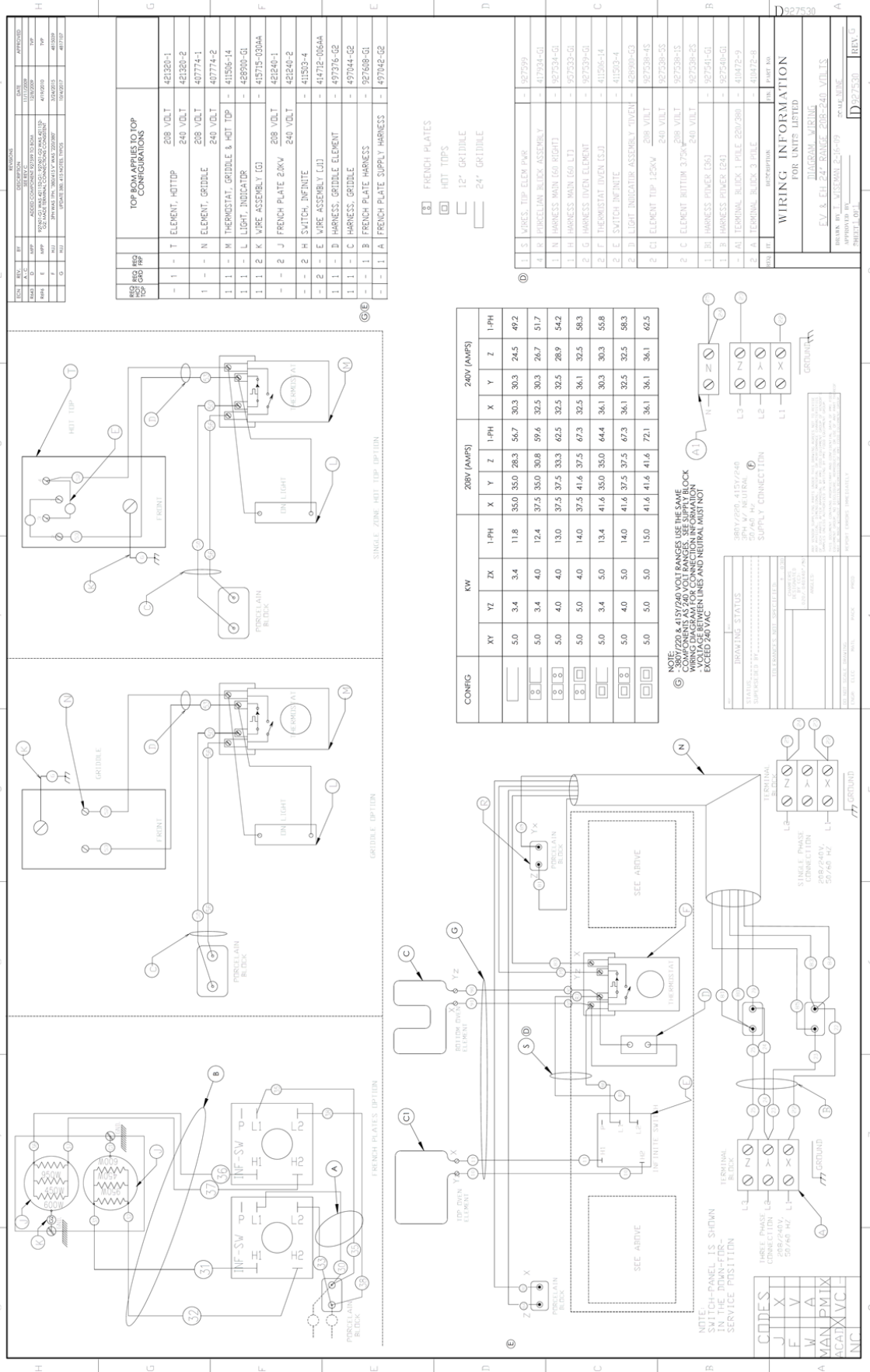
REV.	BY	DESCRIPTION	DATE	APPROVED
1	AWP	208 VOLT	11/04/2009	TPP
2	AWP	240 VOLT	4/18/2010	TPP
3	AWP	240 VOLT	3/20/2011	
4	AWP	240 VOLT	11/02/2011	
5	AWP	240 VOLT	11/02/2011	

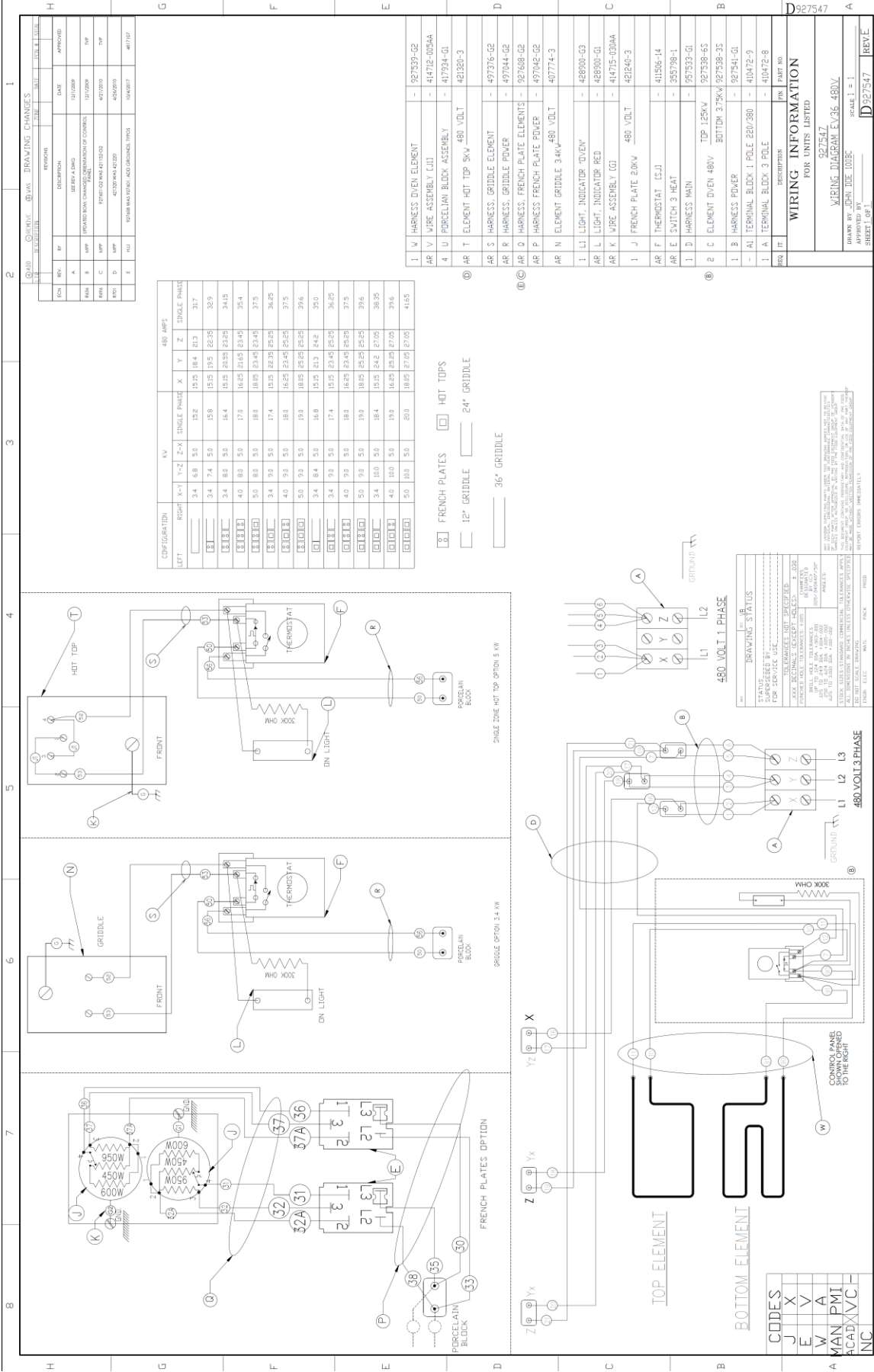
WIRING INFORMATION
FOR UNITS LISTED

DIAGRAM WIRING EXPANDED RANGE
E18FP 208, 240 & 480 V, 220/240/415V
APPROVED BY: 11/08/2011 3:31:06
SCALE: NONE
SHEET: 1 OF 1

CODES

J	X
E	V
W	A
MAN	PMIX
GA	WVC
NC	





QUANTITY DRAWING CHANGES

REV	BY	DATE	DESCRIPTION	REVISION
1	AW	01/20/00	ISSUE FOR CONSTRUCTION	APPROVED
2	AW	01/20/00	ISSUE FOR CONSTRUCTION	APPROVED
3	AW	01/20/00	ISSUE FOR CONSTRUCTION	APPROVED
4	AW	01/20/00	ISSUE FOR CONSTRUCTION	APPROVED
5	AW	01/20/00	ISSUE FOR CONSTRUCTION	APPROVED
6	AW	01/20/00	ISSUE FOR CONSTRUCTION	APPROVED
7	AW	01/20/00	ISSUE FOR CONSTRUCTION	APPROVED
8	AW	01/20/00	ISSUE FOR CONSTRUCTION	APPROVED

CONFIGURATION	KV			480 AMPS		
	RIGHT X-Y	7-Z	Z-X	SINGLE PHASE X	Y	Z
LEFT	3.4	5.0	5.0	19.25	18.4	21.3
RIGHT	3.4	5.0	5.0	15.15	15.5	22.5
FRONT	3.4	5.0	5.0	15.15	15.5	22.5
BACK	3.4	5.0	5.0	15.15	15.5	22.5
TOP	3.4	5.0	5.0	15.15	15.5	22.5
BOTTOM	3.4	5.0	5.0	15.15	15.5	22.5
FRONT	3.4	5.0	5.0	15.15	15.5	22.5
BACK	3.4	5.0	5.0	15.15	15.5	22.5
TOP	3.4	5.0	5.0	15.15	15.5	22.5
BOTTOM	3.4	5.0	5.0	15.15	15.5	22.5
FRONT	3.4	5.0	5.0	15.15	15.5	22.5
BACK	3.4	5.0	5.0	15.15	15.5	22.5
TOP	3.4	5.0	5.0	15.15	15.5	22.5
BOTTOM	3.4	5.0	5.0	15.15	15.5	22.5

FRENCH PLATES HOT TOPS
 12" GRIDDLE 24" GRIDDLE
 36" GRIDDLE

CODES	DESCRIPTION
J	950W
X	450W
V	600W
W	MAN/PMI
A	ACAD/V/C
NC	

CONDUCTORS SHOWING POINTS DOWN OR UP TO THE RIGHT

480 VOLT 3 PHASE

480 VOLT 1 PHASE

GRINDING STATUS

STARTING SPEED 3000 RPM

FOR SERVICE USE

TOLERANCE NOT SPECIFIED

UNLESS OTHERWISE SPECIFIED

ALL DIMENSIONS IN INCHES UNLESS OTHERWISE SPECIFIED

SEE DRAWING FOR DIMENSIONS

REPEAT DIMENSIONS SPARINGLY

DATE: 01/20/00

BY: AW

CHKD: AW

APP: AW

SCALE: 1 = 1

WIRING DIAGRAM E.V.36.480V

927547

FOR UNITS LISTED

WIRING INFORMATION

DESCRIPTION

QTY

UNIT

REMARKS

1 J FRENCH PLATE 20KV 480 VOLT

1 J FRENCH PLATE 34KV 480 VOLT

1 K WIRE ASSEMBLY 101

1 L LIGHT, INDICATOR 10/10V

1 L LIGHT, INDICATOR RED

1 J FRENCH PLATE 20KV 480 VOLT

1 J FRENCH PLATE 34KV 480 VOLT

1 D WIRE ASSEMBLY 101

1 U PORCELAIN BLOCK ASSEMBLY

4 U WIRE ASSEMBLY CJD

1 V WIRE ASSEMBLY CJD

1 W WIRE ASSEMBLY CJD

1 S WIRE ASSEMBLY CJD

1 R WIRE ASSEMBLY CJD

1 P WIRE ASSEMBLY CJD

1 O WIRE ASSEMBLY CJD

1 N WIRE ASSEMBLY CJD

1 M WIRE ASSEMBLY CJD

1 L WIRE ASSEMBLY CJD

1 K WIRE ASSEMBLY CJD

1 J WIRE ASSEMBLY CJD

1 I WIRE ASSEMBLY CJD

1 H WIRE ASSEMBLY CJD

1 G WIRE ASSEMBLY CJD

1 F WIRE ASSEMBLY CJD

1 E WIRE ASSEMBLY CJD

1 D WIRE ASSEMBLY CJD

1 C WIRE ASSEMBLY CJD

1 B WIRE ASSEMBLY CJD

1 A WIRE ASSEMBLY CJD

1 WIRE ASSEMBLY CJD

1 WIRE ASSEMBLY CJD

1 WIRE ASSEMBLY CJD

1 WIRE ASSEMBLY CJD

1 WIRE ASSEMBLY CJD

1 WIRE ASSEMBLY CJD

1 WIRE ASSEMBLY CJD

1 WIRE ASSEMBLY CJD

1 WIRE ASSEMBLY CJD

1 WIRE ASSEMBLY CJD

1 WIRE ASSEMBLY CJD

1 WIRE ASSEMBLY CJD

1 WIRE ASSEMBLY CJD

1 WIRE ASSEMBLY CJD

1 WIRE ASSEMBLY CJD

1 WIRE ASSEMBLY CJD

1 WIRE ASSEMBLY CJD

1 WIRE ASSEMBLY CJD

1 WIRE ASSEMBLY CJD

1 WIRE ASSEMBLY CJD

1 WIRE ASSEMBLY CJD

1 WIRE ASSEMBLY CJD

1 WIRE ASSEMBLY CJD

1 WIRE ASSEMBLY CJD

1 WIRE ASSEMBLY CJD

1 WIRE ASSEMBLY CJD

1 WIRE ASSEMBLY CJD

1 WIRE ASSEMBLY CJD

1 WIRE ASSEMBLY CJD

1 WIRE ASSEMBLY CJD

1 WIRE ASSEMBLY CJD

1 WIRE ASSEMBLY CJD

1 WIRE ASSEMBLY CJD

1 WIRE ASSEMBLY CJD

1 WIRE ASSEMBLY CJD

1 WIRE ASSEMBLY CJD

1 WIRE ASSEMBLY CJD

1 WIRE ASSEMBLY CJD

1 WIRE ASSEMBLY CJD

1 WIRE ASSEMBLY CJD

1 WIRE ASSEMBLY CJD

1 WIRE ASSEMBLY CJD

1 WIRE ASSEMBLY CJD

1 WIRE ASSEMBLY CJD

1 WIRE ASSEMBLY CJD

1 WIRE ASSEMBLY CJD

1 WIRE ASSEMBLY CJD

1 WIRE ASSEMBLY CJD

1 WIRE ASSEMBLY CJD

1 WIRE ASSEMBLY CJD

1 WIRE ASSEMBLY CJD

1 WIRE ASSEMBLY CJD

1 WIRE ASSEMBLY CJD

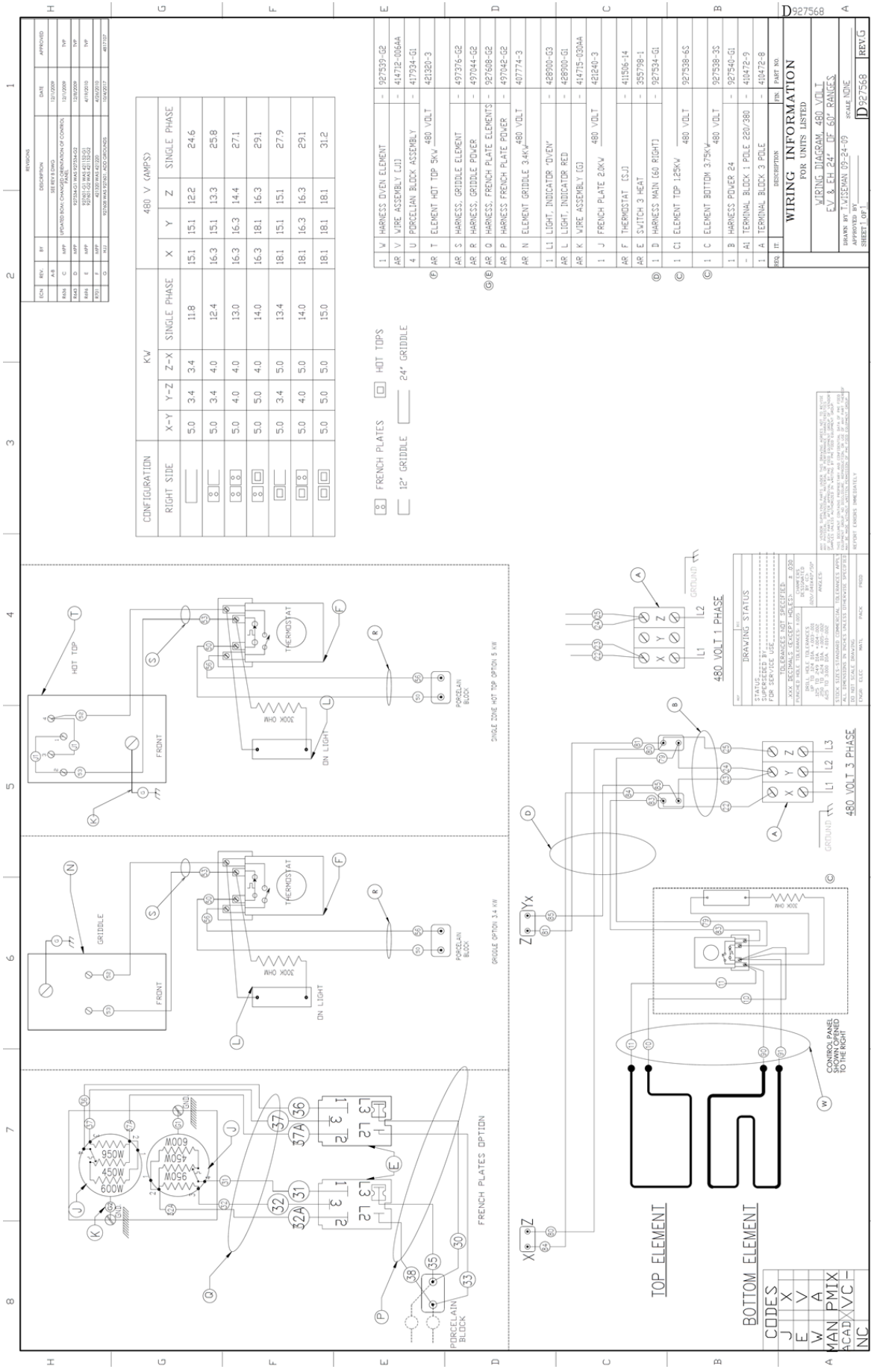
1 WIRE ASSEMBLY CJD

1 WIRE ASSEMBLY CJD

1 WIRE ASSEMBLY CJD

1 WIRE ASSEMBLY CJD

1 WIRE ASSEMBLY CJD



REV.	BY	DESCRIPTION	DATE	APPROVED
1	AKB	REVISED FROM PREVIOUS EDITIONS	12/12/08	TOP
2	AKB	REVISED FROM PREVIOUS EDITIONS	12/12/08	TOP
3	AKB	REVISED FROM PREVIOUS EDITIONS	12/12/08	TOP
4	AKB	REVISED FROM PREVIOUS EDITIONS	12/12/08	TOP
5	AKB	REVISED FROM PREVIOUS EDITIONS	12/12/08	TOP
6	AKB	REVISED FROM PREVIOUS EDITIONS	12/12/08	TOP
7	AKB	REVISED FROM PREVIOUS EDITIONS	12/12/08	TOP
8	AKB	REVISED FROM PREVIOUS EDITIONS	12/12/08	TOP

480 V (4MPS)					
CONFIGURATION	KW			SINGLE PHASE	
	X-Y	Y-Z	Z-X	X	Y Z
RIGHT SIDE	5.0	3.4	3.4	15.1	15.1 12.2
FRONT	5.0	3.4	4.0	16.3	15.1 13.3
GRIDDLE	5.0	4.0	4.0	16.3	16.3 14.4
HOT TOP	5.0	5.0	4.0	16.3	18.1 16.3
FRENCH PLATES	5.0	3.4	5.0	18.1	15.1 15.1
GRIDDLE	5.0	4.0	5.0	18.1	16.3 16.3
HOT TOPS	5.0	5.0	5.0	18.1	18.1 18.1

- 1 W HARNESS DIVEN ELEMENT - 927539-02
- AR V WIRE ASSEMBLY LJJ - 414712-068AA
- 4 U PORCELAIN BLOCK ASSEMBLY - 417934-G1
- AR T ELEMENT HOT TOP 5KW 480 VOLT 421320-3
- AR S HARNESS, GRIDDLE ELEMENT - 497376-02
- AR R HARNESS, GRIDDLE POWER - 497044-02
- AR O HARNESS, FRENCH PLATE ELEMENTS - 927568-02
- AR P HARNESS FRENCH PLATE POWER - 497042-02
- AR N ELEMENT GRIDDLE 3.4KW 480 VOLT 40774-3
- 1 L LIGHT, INDICATOR 'OVEN' - 428900-G3
- AR L LIGHT, INDICATOR RED - 428900-G1
- AR K WIRE ASSEMBLY TGD - 414715-030AA
- 1 J FRENCH PLATE 2.8KW 480 VOLT 421240-3
- AR F THERMOSTAT (SJJ) - 411536-14
- AR E SWITCH 3 HEAT - 355798-1
- 1 D HARNESS MAIN 60 RIGHT) - 927534-G1
- 1 C1 ELEMENT TOP 1.8KW 480 VOLT 927538-65
- 1 C ELEMENT BOTTOM 3.75KW 480 VOLT 927538-35
- 1 B HARNESS POWER 24 - 927540-G1
- 1 A TERMINAL BLOCK 1 POLE 220V/380 - 410472-9
- 1 A TERMINAL BLOCK 3 POLE - 410472-8

REQ.	IT	DESCRIPTION	QTY	PART NO.
1	W	HARNESS DIVEN ELEMENT	1	927539-02
1	AR V	WIRE ASSEMBLY LJJ	1	414712-068AA
4	U	PORCELAIN BLOCK ASSEMBLY	4	417934-G1
1	AR T	ELEMENT HOT TOP 5KW 480 VOLT	1	421320-3
1	AR S	HARNESS, GRIDDLE ELEMENT	1	497376-02
1	AR R	HARNESS, GRIDDLE POWER	1	497044-02
1	AR O	HARNESS, FRENCH PLATE ELEMENTS	1	927568-02
1	AR P	HARNESS FRENCH PLATE POWER	1	497042-02
1	AR N	ELEMENT GRIDDLE 3.4KW 480 VOLT	1	40774-3
1	L	LIGHT, INDICATOR 'OVEN'	1	428900-G3
1	AR L	LIGHT, INDICATOR RED	1	428900-G1
1	AR K	WIRE ASSEMBLY TGD	1	414715-030AA
1	J	FRENCH PLATE 2.8KW 480 VOLT	1	421240-3
1	AR F	THERMOSTAT (SJJ)	1	411536-14
1	AR E	SWITCH 3 HEAT	1	355798-1
1	D	HARNESS MAIN 60 RIGHT)	1	927534-G1
1	C1	ELEMENT TOP 1.8KW 480 VOLT	1	927538-65
1	C	ELEMENT BOTTOM 3.75KW 480 VOLT	1	927538-35
1	B	HARNESS POWER 24	1	927540-G1
1	A	TERMINAL BLOCK 1 POLE 220V/380	1	410472-9
1	A	TERMINAL BLOCK 3 POLE	1	410472-8

WIRING INFORMATION

FOR UNITS LISTED

WIRING DIAGRAM 480 VOLT
E.V. & E.H. 24" OF 60" RANGES

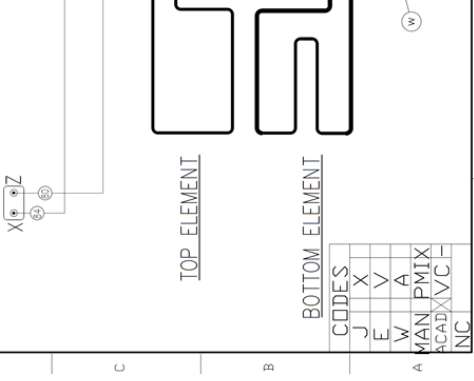
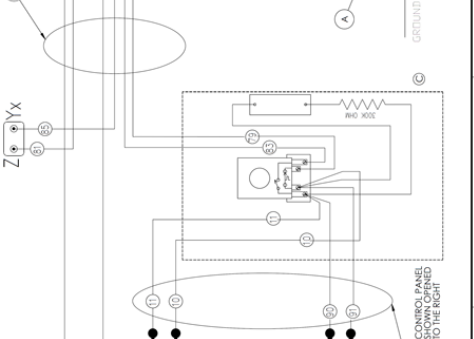
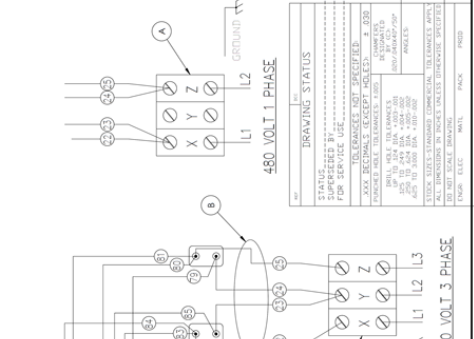
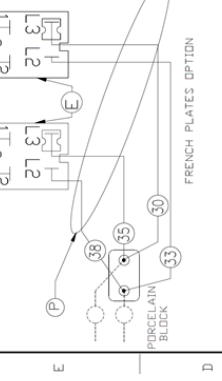
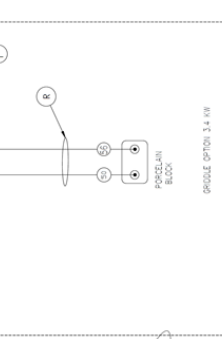
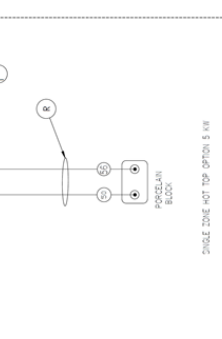
DRAWN BY: T.MISSENALE 07-24-09 SCALE: NONE

APPROVED BY: _____

SHEET 1 OF 1

- FRENCH PLATES HOT TOPS
- GRIDDLE 12" GRIDDLE 24" GRIDDLE

THIS DRAWING IS THE PROPERTY OF GEORGE A. FISHER COMPANY. IT IS TO BE USED ONLY FOR THE PURPOSES INTENDED. IT IS NOT TO BE REPRODUCED OR TRANSMITTED IN ANY FORM OR BY ANY MEANS, ELECTRONIC OR MECHANICAL, INCLUDING PHOTOCOPYING, RECORDING, OR BY ANY INFORMATION STORAGE AND RETRIEVAL SYSTEM. WITHOUT THE WRITTEN PERMISSION OF GEORGE A. FISHER COMPANY.



CODES	DESCRIPTION
J	X
E	V
W	A
MAN	PMIX
ACAD	XVC
NC	

NOTES