

## Cabinet Stand Open Series

▪ SD 18 ▪ SD 20 ▪ SD 24 ▪ SD 36

100% Manufactured from Raw Materials Providing the Highest Quality and Durability

The Venâncio Cabinet Stand Door were developed to meet several needs in the day to day kitchen, combined with a high quality standard and durability, seeking to meet the needs of a professional kitchen

### STANDARD FEATURES

#### CABINET STAND

- 3-year parts and 2-year labor warranty
- 14 gauge fully welded interlocking frame
- Stainless steel sides and bottom
- Stainless steel doors and built-in handles;
- Hinges with damper for driving the doors
- Magnetic closing of doors
- 6 " chrome carbon steel adjustable legs
- Available widths:  
 18" (458mm),  
 20" (508mm),  
 24" (610mm),  
 36" (915mm).

#### OPTION & ACCESSORIES

- Countertop product installation Kit
- 6 " levelling swivel casters (2) with front locking



Model SO 24

Cabinet Stand Open Series

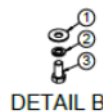
### SPECIFICATIONS

#### CABINET STAND

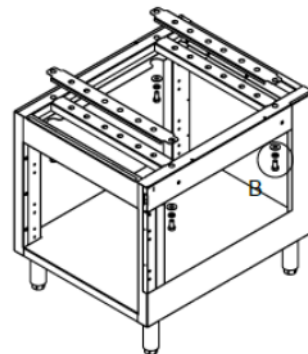
- The use of two or more countertop products on the cabinet stand may be performed if: the sum of the specified width of the countertop products equals the specified width of the used cabinet stand
- Additional fasteners must be purchased (N° 1- 1/2 " plain washer, N° 2- 1/2" lock washer and N° 3 - 1/2 " hex bolt) if two or more countertop products are installed on it cabinet stand
- The use of a countertop product of a specified width greater than the cabinet stand width may be made provided that more than one cabinet stand is used. These should be joined by the standby hole present on the side of the cabinet interior frame.

The sum of the cabinet stand width should equal the width of the desired countertop product. It is not necessary to use two cabinet stand of the same model (SD or SO);

- The installation of the cabinet stand, together with the installation of the countertop product must be performed by a qualified professional;

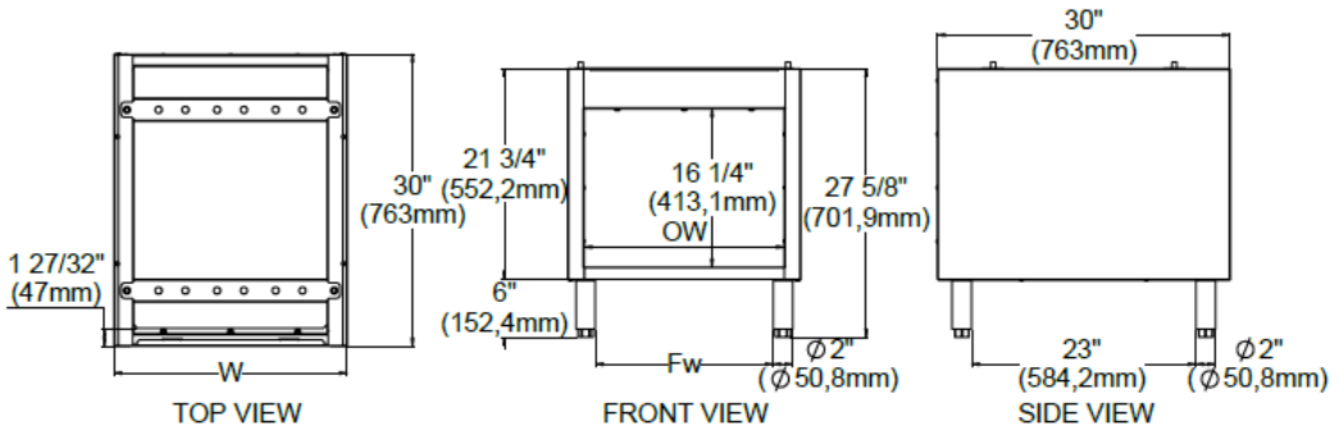


DETAIL B



Rev 00 (dez/2019)

▪ SO 18 ▪ SO 20 ▪ SO 24 ▪ SO 36



| Model | Exterior Product Dimensions & Weight |                     |                    |                | Shipping Crate Dimensions & Weight |                    |                   |                |
|-------|--------------------------------------|---------------------|--------------------|----------------|------------------------------------|--------------------|-------------------|----------------|
|       | Width                                | Open Width          | Fw                 | Weight         | Width                              | Depth              | Height            | Weight         |
| SO 18 | 18 " (458 mm)                        | 14 9/16 " (370 mm)  | 12 7/32 " (310 mm) | 73 lb (33Kg)   | 22 15/32 " (570 mm)                | 34 21/32" (880 mm) | 33 7/8 " (860 mm) | 97 lb (44 Kg)  |
| SO 20 | 20 " (508 mm)                        | 16 17/32 " (420 mm) | 14 7/32 " (361 mm) | 77 lb (35Kg)   | 24 13/32 " (620 mm)                | 34 21/32" (880 mm) | 33 7/8 " (860 mm) | 104 lb (47 Kg) |
| SO 24 | 24 " (610 mm)                        | 20 9/16 " (522 mm)  | 18 1/4 " (463 mm)  | 84 lb (38 Kg)  | 28 11/32 " (720 mm)                | 34 21/32" (880 mm) | 33 7/8 " (860 mm) | 110 lb (50 Kg) |
| SO 36 | 36 " (915 mm)                        | 32 9/16 " (827 mm)  | 30 1/4 " (768 mm)  | 104 lb (47 Kg) | 40 5/32 " (1,020 mm)               | 34 21/32" (880 mm) | 33 7/8 " (860 mm) | 137 lb (62 Kg) |

**UTILITY INFORMATION**

**ASSEMBLY COMBINATIONS**

| Model | Hotplate    |                |                       |         |            | Neutral |
|-------|-------------|----------------|-----------------------|---------|------------|---------|
|       | Charbroiler | Griddle Manual | Griddle Thermo-static | Genesis | Restaurant |         |
| SO 18 | ✓           | ✓              | ✓                     |         |            | ✓       |
| SO 20 |             |                |                       |         |            | ✓       |
| SO 24 | ✓           | ✓              | ✓                     | ✓       | ✓          | ✓       |
| SO 36 | ✓           | ✓              | ✓                     | ✓       | ✓          | ✓       |

**CLEARANCES REQUIREMENTS**

- Provide side, rear and bottom clearance 0 " (0 mm) from non-combustible surfaces
- Consult clearance requirements for countertop mounted cabinet stand products

**MISCELLANEOUS**

- Install under countertop product Venâncio USA
- Installation must be done by qualified professional
- Before performing the installation consult the manual
- Install under vented hood
- Check local codes for fire, installation and sanitary regulations
- Intended for commercial use only. Not for household use

